

Pressure Operated Relief Valve Adjustable Type Model: PORV-A

The PORV-A is a direct acting on/off valve, actuated by a pressure responsive diaphragm, which tends to reach equilibrium with the set spring force. The PORV-A is held closed by pneumatic or hydraulic pressure, sensed at its control chamber (under the diaphragm).

It opens in response to a pressure drop of the wet/dry pilot line to below the set point, and/or in response to pressure being drained from its control chamber by a solenoid or other releasing device.

The PORV-A is UL Listed when installed as part of the control trim of UL Listed deluge valves.

Materials

Body

- Stainless Steel 316 ASTM A351 Grade CF8M
- Forged Brass
- Nickel Aluminum Bronze ASTM B148 C95800

Springs

- Stainless Steel

Elastomers

- NBR

Wetted Parts

- Stainless Steel 303 & Brass (standard)
- Stainless Steel 316
- Monel 400
- Hastalloy C-276

Orifice

- 9 mm

Pressure Adjustment

Valve opens when pilot line pressure drop to the Setting Point

- Standard factory set: 3.5 bar (50 psi)
- Setting Range: 0.5 - 8 bar (7 - 115 psi)

Pressure Rating

- 21 bar (300 psi)

Temperature

- Water upto 80°C (180°F)

Flow factor

- KV:1.0 (CV:1.2)

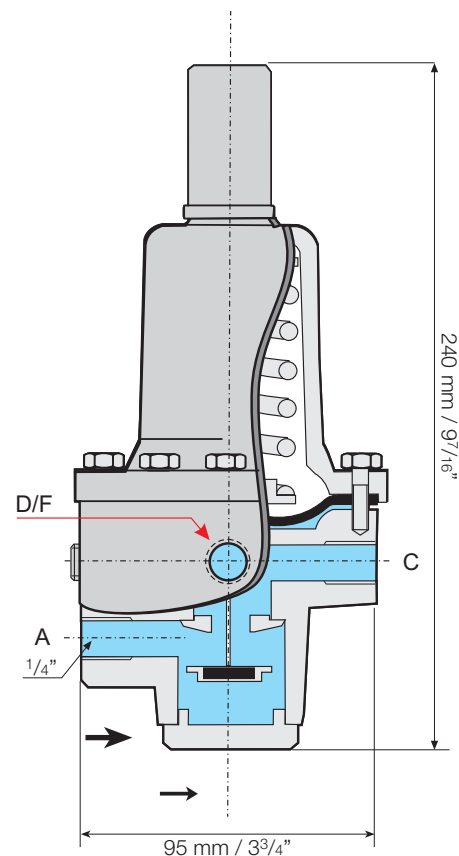
Connections

- 1/4" NPT

Approvals⁽¹⁾

- UL-Listed

Note: 1: when installed on specific Bermad Deluge valve



Weight: 2.7 Kg / 6 lbs.