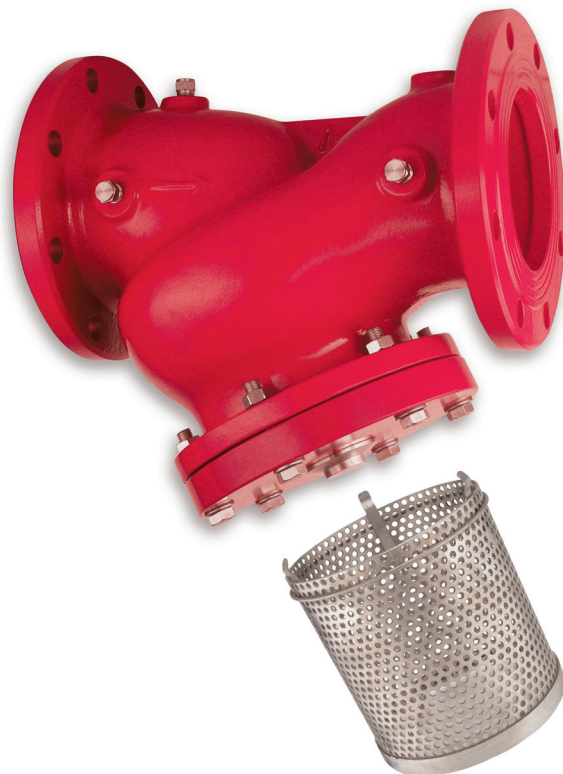


Strainer

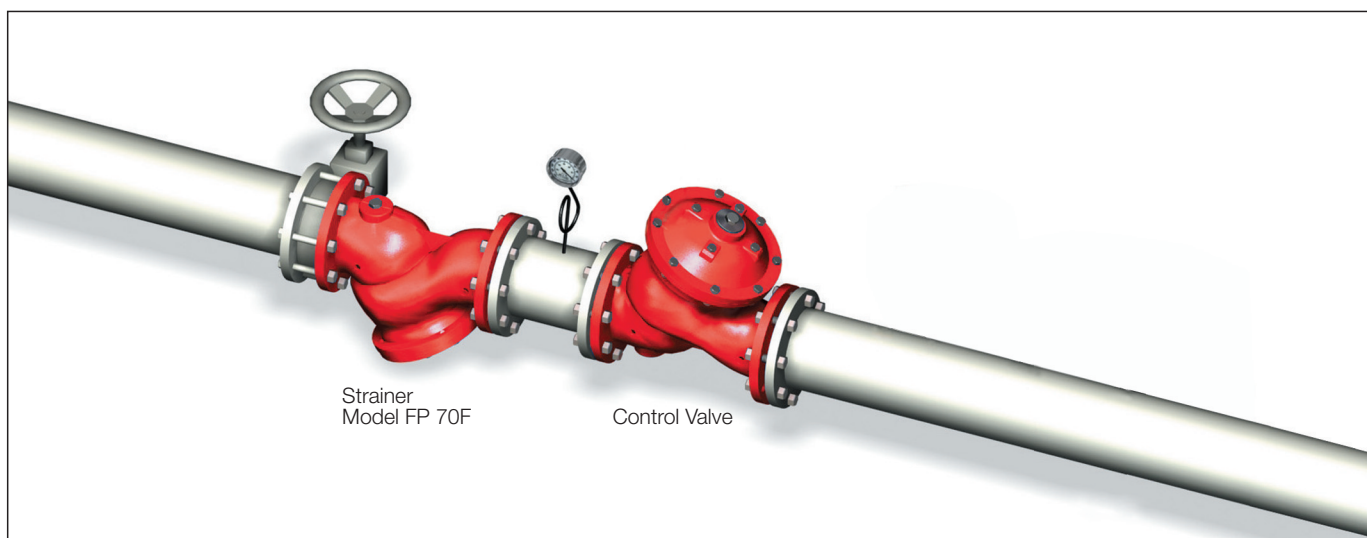
Model: FP 70F

The BERMAD FP 70F Strainer is design to remove foreign matter such as stones, sticks, etc, from the pipeline. It is recommended to install the strainer upstream from control valves, flow meters and other system appliances.

- Large trap capacity
- Low pressure loss
- Blow-off port for easy cleaning



Typical application



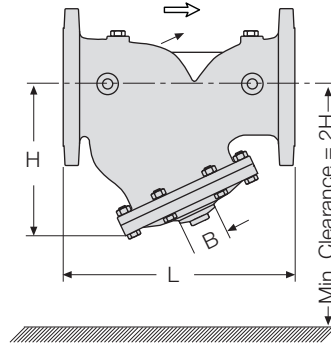
BERMAD Fire Protection

System Components

Strainer Model: FP 70F

Technical Data

Size		L		L1		H		W		W1		B
mm	inch	mm	inch	mm	inch	mm	inch	kg	lbs	kg	lbs	mm
40	1½"	205	8.1	205	8.1	125	4.9	6.5	14.3	7.8	17.2	¾"
50	2"	210	8.3	210	8.3	125	4.9	8.0	17.6	10	22.0	
65	2½"	222	8.7	222	8.7	125	4.9	10.4	22.9	12.8	28.2	
80	3"	250	9.8	264	10.4	170	6.7	17	37.5	20	44	1½"
100	4"	320	12.6	335	13.2	210	8.3	28	61.7	34	75	
150	6"	415	16.3	433	17.0	270	10.6	48	106	58	128	
200	8"	500	19.7	524	20.6	330	13.0	75	165	95	210	2"
250	10"	605	23.8	637	25.1	420	16.5	125	276	153	337	
300	12"	725	28.5	762	30.0	480	18.9	225	496	266	586	
350	14"	733	28.9	767	30.2	480	18.9	235	518	288	635	3"
400	16"	990	39.0	1024	40.3	620	24.4	535	1180	590	1300	
450	18"	1000	39.4	1030	40.5	620	24.4	670	1477	735	1620	
500	20"	1100	43.3	1136	44.7	620	24.4	760	1675	835	1840	



Basket Hole Diameter (mm)

Stainless Steel 304 (Standard)

2"	3-4"	6-20"
1.5	3.0	5.0

Stainless Steel 316 (Optional)

2-6"	8-20"
2.0	3.0

L,W – ISO 10&16; ANSI 150
L1,W1 – ISO 25; ANSI 300
"L", ISO standard lengths available
B – Blow-off port

Specifications

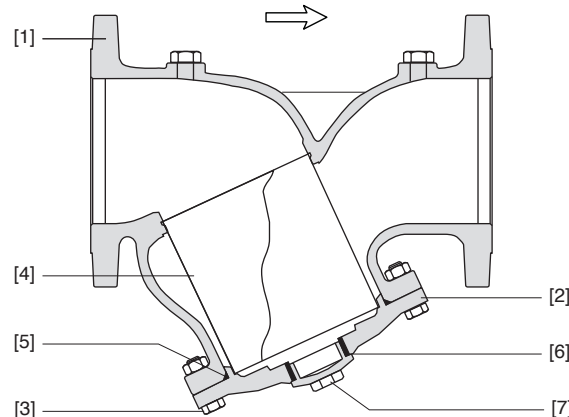
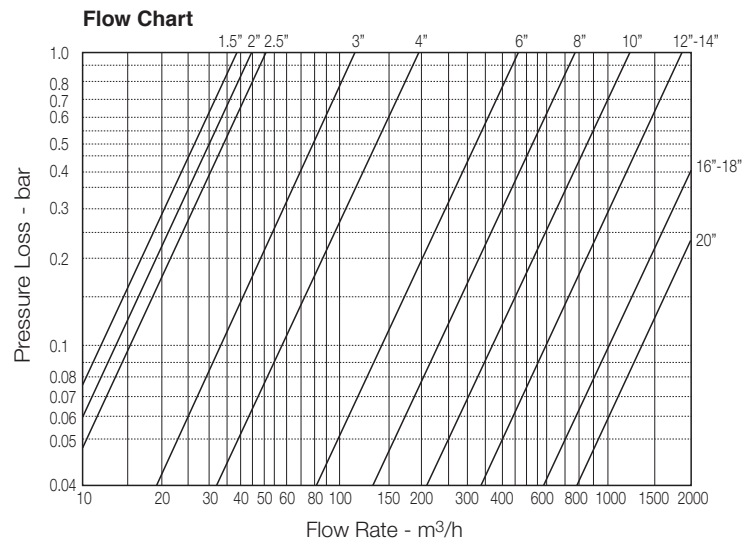
Patterns: "Y" (globe) & angle
Size Range: 1½ - 20" (40-500 mm)
End Connections (Pressure Ratings):
Flanged: ISO PN16, PN25
(ANSI Class 150, 300)
Threaded: BSP or NPT
Others: Available on request
Working Temperature: Water up to 80°C (180°F)
Standard Materials:
Body: Ductile Iron
Cover: Steel
Screen / Basket: Stainless Steel 304
Seals: NBR (Buna N)
Coating:

Fusion Bonded Epoxy, RAL 3002 (Red) or
Electrostatic Polyester Powder, RAL 3002 (Red)

- [1] **Strainer Body:** Ductile Iron ASTM A536 65-45-12
Ni.Al. Bronze ASTM B148 C95800
Cast Steel ASTM A216-WCB
- [2] **Strainer Cover:** Ductile Iron ASTM A536 65-45-12
Ni.Al. Bronze ASTM B148 C95800
Cast Steel ASTM A216-WCB
- [3] **Nuts & Bolts:** St.St. 316
- [4] **Screen:** St.St. 304, Option: 316 or Monel
- [5] **Body O-ring:** NBR (Buna-N)
- [6] **Plug O-ring:** NBR (Buna-N)
- [7] **Blow-off Plug:** St.St. 316 Or Ni. Al. Bronze⁽¹⁾

Notes:

- (1) Option Drain Ball Valve: St.St. 316
Or Al. Bronze Ball Valve, PTFE Seals



bermadfire@bermad.com • www.bermad.com

The information herein is subject to change without notice. BERMAD shall not be held liable for any errors. All rights reserved. © Copyright by BERMAD. PCGPE7N 08