

400 Series

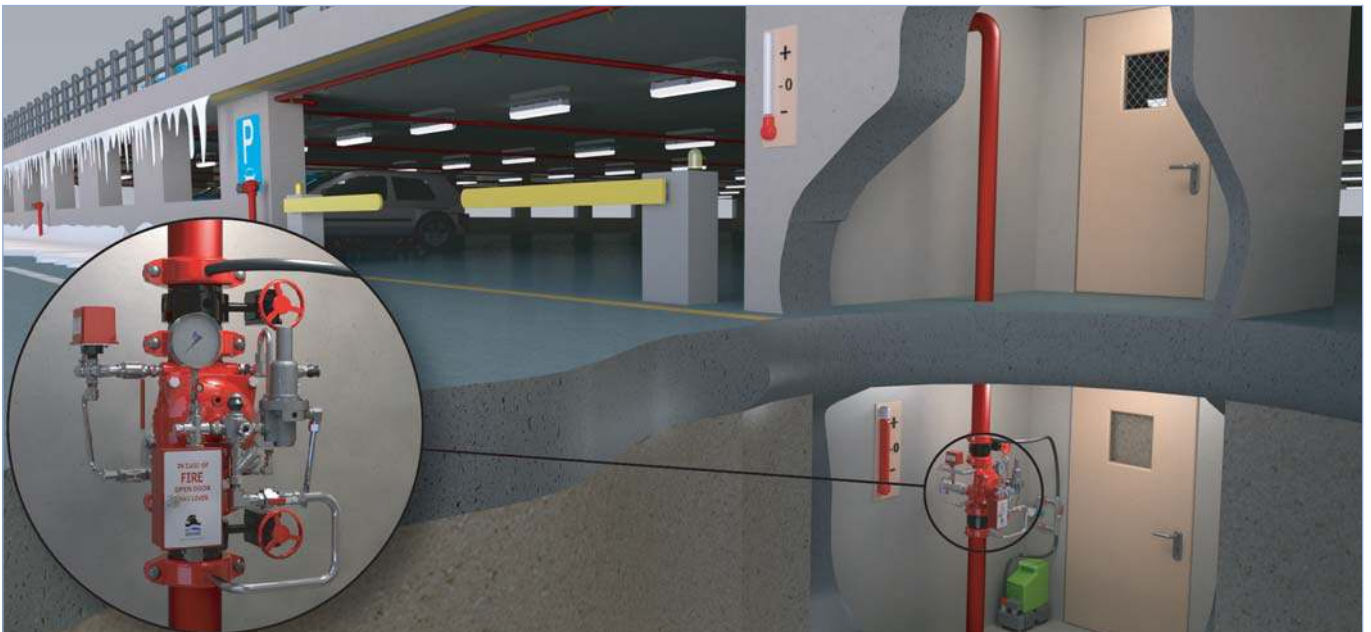
Flow Control

Model FP-400E-DP

## Dry Pipe Control Valve

BERMAD's hydraulically controlled deluge fire protection system for buildings is designed for use in systems that include air pressurized lines with closed fusible plug nozzles (thermal releases) and/or fire hoses. This deluge system is capable of delivering large quantities of water over a large area in a relatively short period of time. BERMAD's deluge valves are specially designed to open fast and smoothly while preventing water hammer.

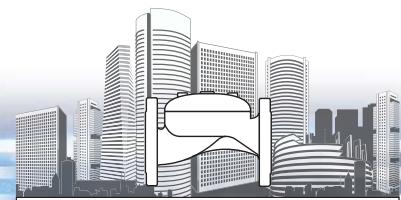
The WW-400E-WBF-DP system controls closed fusible plug sprinklers; this UL-Listed system admits water into the sprinkler piping when the air pressure in the sprinklers line drops due to a thermal release or manual operation.



For illustration only

### Typical Application

- Controlling sprinkler and hydrant systems installed under freezing conditions in buildings, parking areas, warehouses and cold storage facilities.
- In installations where electricity is not available or where hydraulic control operation is preferred.
- In deluge fire protection systems that require UL approval.



400 Series

Flow Control

Model FP-400E-DP

## Features and Benefits

- Compact structure – vertically installed small footprint specially designed for tight and confined areas such as water cabinets and technical floors
- Integral factory assembled unit – easy and simple installation reducing assembly errors and logistics difficulties
- Sustained control loop pressure – ensure proper operation of the system under varying control lines pressure
- Hydraulic latch open – patented “easy lock” that closes only upon local manual reset
- Drip check and Leaks control – visual and electrical indication for leaking valve
- High quality construction materials for reliable long lasting operation
- Full bore valve port area and hydrodynamic body for unobstructed flow path; minimal pressure loss with low cavitation damage
- Immediate valve response – ensures operation after long standby periods; specially designed for fire protection systems
- Integral drain port – external drain valves are not needed

## Technical Data

Size		Kv	L1 <sup>(1)</sup>	L4 <sup>(2)</sup>	TI	Tw	Ts	Th	Tb
DN	Inch								
50	2"	57	205	205	122	244	207	223	230
65	2½"	78	205	N/A	122	235	199	239	290
80	3"	136	257	250	96	259	222	259	300
100	4"	204	320	320	64	269	232	279	317
150	6"	458	415	415	17	308	278	354	338
200	8"	781	500	500	0	326	308	407	405

Notes:

<sup>(1)</sup> L1 is for flanged ANSI #150 and ISO PN16.

<sup>(2)</sup> L4 is for grooved end connections (Ductile Iron Only).

## End Connections:

**Grooved:** ANSI/AWWA C606

Optional: Flanged ANSI B16.42 (Ductile Iron), ISO PN16

**Pressure Rating:** Max. working pressure: 250 psi (17 bar)

**Valve Pattern:** Globe

**Water Temperature:** Water up to 50°C (122°F)

## Main Construction Materials:

**Body, cover & Actuator:** Ductile Iron ASTM A-536

**Internals:** Stainless Steel & Elastomer

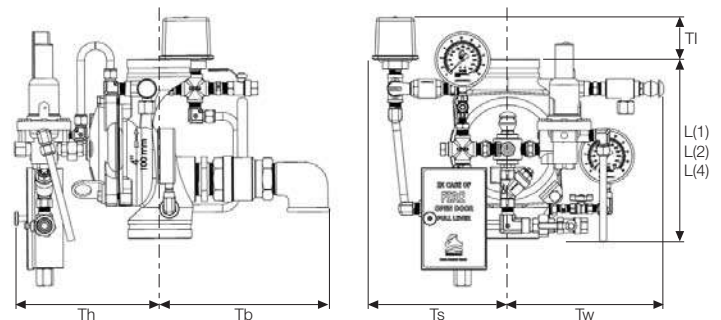
**Control Trim System:** Brass control components / accessories

Copper & Brass tubing & fittings

Optional: Stainless Steel 316

**Elastomers:** Nylon fabric reinforced polyisoprene NR

**Coating / colour:** Electrostatic Powder Coating Polyester Red



## How to Order

Please specify the requested valve in the following sequence:

Size	Model	Category	End Connections
<input type="text"/>	400E-DP	BF	<input type="text"/>
2" 2½" 3" 4" 6" 8"			ANSI C606 V1

For other optional materials consult BERMAD



For full technical specifications, see Engineering section or consult BERMAD

[info@bermad.com](mailto:info@bermad.com) • [www.bermad.com](http://www.bermad.com)

The information herein is subject to change without notice. BERMAD shall not be held liable for any errors. All rights reserved. © Copyright by BERMAD. PC4BE12-400E-DP-BF