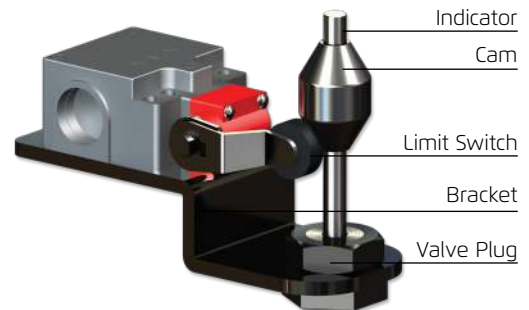


Mechanical Limit Switch

Model S

The model S Valve Position Limit Switch enables a remote signaling upon the opening or closing of BERMAD deluge and Water Control Valves. It is equipped with one or two electrical switches actuated by the closing or opening of the valve.



Single Limit Switch Assembly

Available Types

- Single limit switch assembly:
Equipped with one SPDT, for signaling the closed valve position
- Double limit switch assembly:
Equipped with two SPDT, for signaling the closed and open valve positions
- Weather Proof Switch unit: General Purpose

Technical Data

Switch Type

- SPDT (single pole double throw), 1NO, 1NC
- Silver contacts
- Galvanized isolated
- IP 67 rated
- 6 Amps/125-250VAC/24VDC rated
- Voltage: 125 VAC, 250 VAC, 24 VDC, 125VDC and 250 VDC
- Ambient temperature: -25 to 80°C

Features

- Rugged construction
- Vibration resistant technology
- Switching element with snap-action contact

Materials of Construction

- Enclosure: Epoxy coated aluminum
- Bracket: Stainless Steel
- Valve plug, cover plug, nut, cam: Brass
- Internal wetted parts: Stainless steel 316

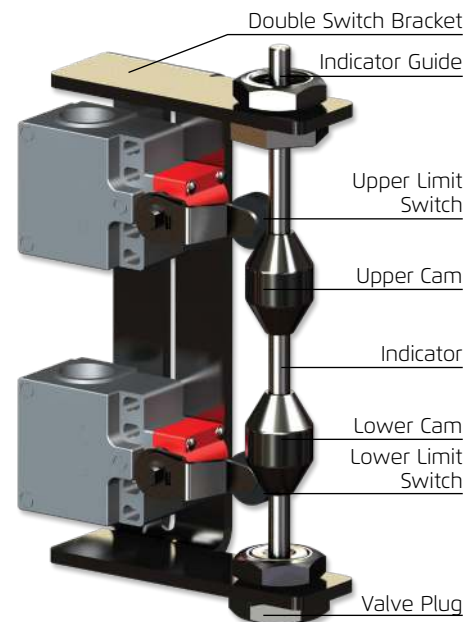
Optional Materials

- Stainless steel 316

Limit Switch Specifications

General Purpose Limit Switch, Model S

This limit switch is used in safe area or non-classified locations. It is rated for IP 67 ingress protection. This switch unit is UL 508, IEC 60947-5-1 and GB14048.5-2001 approved for safe area. It is rated for, 6 Amp at 125, 250 VAC and 24VDC, 1.1 Amp at 125VDC, 0.4 Amps at 250VDC. Amps inductive at 28VDC with 5 Amp at 250VAC. The limit switch is furnished with Silver contacts, SPDT type (1NO, 1NC). The switch unit enclosure includes integral epoxy coated aluminum terminal box with internal terminal blocks, M20x1.5 conduit entry.



Double Limit Switch Assembly

(for Illustration Only)

