



### Needle Valve

This adjustable restriction needle valve is used for controlling opening or closing speed on various control loops.

#### Needle valve types:

- 5" - for up to 4" (100 mm) valves
- 15" - for 6" (150 mm) and larger valves

#### Technical Data

Pressure rating: 40 bar (600 psi)

Standard materials:

Body: Brass

Needle: Stainless Steel 303

Needle seat: Stainless Steel 303

Seals: NBR

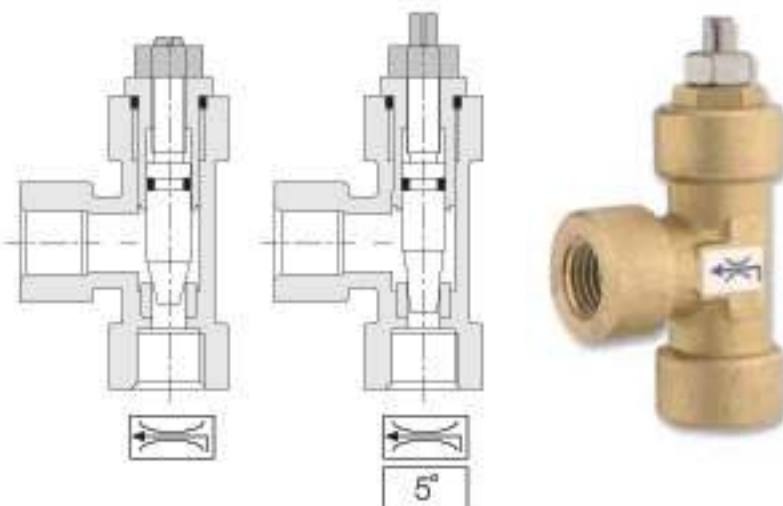
Optional materials:

Metal parts: Stainless Steel 316

Seals: FPM

Ports: 1/4" NPT

Maximum temperature: 80°C (180°F)



### One-Way Flow Control

This device combines an adjustable restriction needle valve one way and free flow in the opposite way. It is used for controlling opening or closing speeds and stabilizing main valve operation.

#### Technical Data

Pressure rating: 40 bar (600 psi)

Flow factor: Kv 0.85 (Cv 1.0)

(in unrestricted flow direction)

Standard materials:

Body: Brass

Needle: Stainless Steel 303

Needle seat: Stainless Steel 303

Spring: Stainless Steel 302

Seal disk: Stainless Steel 304

Seals: NBR

Optional materials:

Metal parts: Stainless Steel 316

Seals: FPM

Ports: 1/4" NPT

Maximum temperature: 80°C (180°F)

