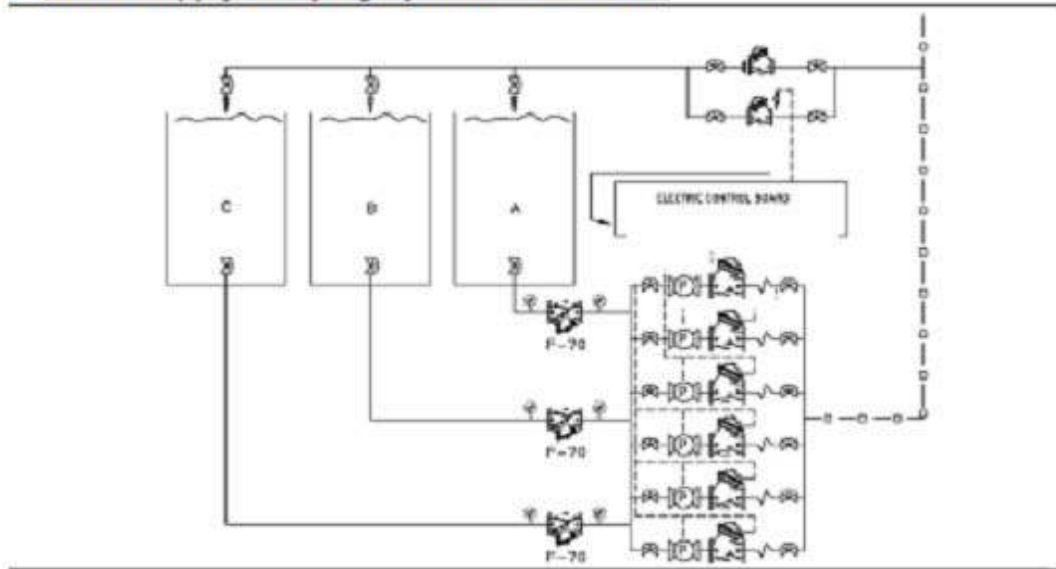


## Park Plaza – Westminster, London

B. Water Supply Pumping System– schematic.



Project Name	Park Plaza – Westminster, London
Country	UK
Segment	Buildings & Construction
Application	Total water supply solution. Pump Control, Pressure Relief/Sustaining
Bermad Solution	700 Series Valves. Sea water pump control units for HVAC application, deep well type
Optional Text	Design Solutions, Supply to site, Commissioning and technical support for hotel & commercial building complex. Pump system with VS to supply demand changes from 0 to maximum flow. Solutions for fail safe reservoir level control at always “un- interrupted water supply” conditions.