



2-Way Solenoid Valve

Servo-Assisted Diaphragm Actuated

Burkert Model 281

This is a diaphragm actuated, servo-assisted pilot operated 2-Way solenoid valve. It is available in two versions:

- Normally Closed (Model: 5281A)
- Normally Open (Model: 0281B)

Features

- High flow rates (low head loss)
- Normally Open or Closed versions

Technical Data

Standard materials:

Body: Brass
Elastomers: NBR
Enclosure: Molded epoxy
Internals: Stainless Steel

Ports: 1/2", 3/4" NPT

Temperature:

Nominal ambient: 0.5 to 55°C; 33 to 131°F⁽¹⁾
Maximum fluid: 0 to 90°C; 32 to 194°F

Enclosure type:

One-piece molded epoxy.
 General purpose: IP 65 with DIN, cable plug

Electrical data:

Voltages:⁽²⁾
 (ac): 24, 110, 220 (50Hz)
 (ac): 24, 120, 240 (60Hz)
 (dc): 24, 110, 220
 Tolerance: ±10%

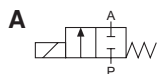
Power consumption:

(ac): 21 VA, inrush; 12 VA (8W), holding
 (dc): 8W

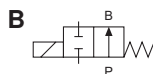
Hydraulic data:

Port Size	Orifice DN	Flow Factor		Pressure Range ⁽³⁾	
		Kv	Cv	Bar	psi
1/2"	13	4.0	4.7	0.2-16	3-230
3/4"	20	5.0	5.8	0.2-16	3-230

Circuit functions



2-Way Normally Closed

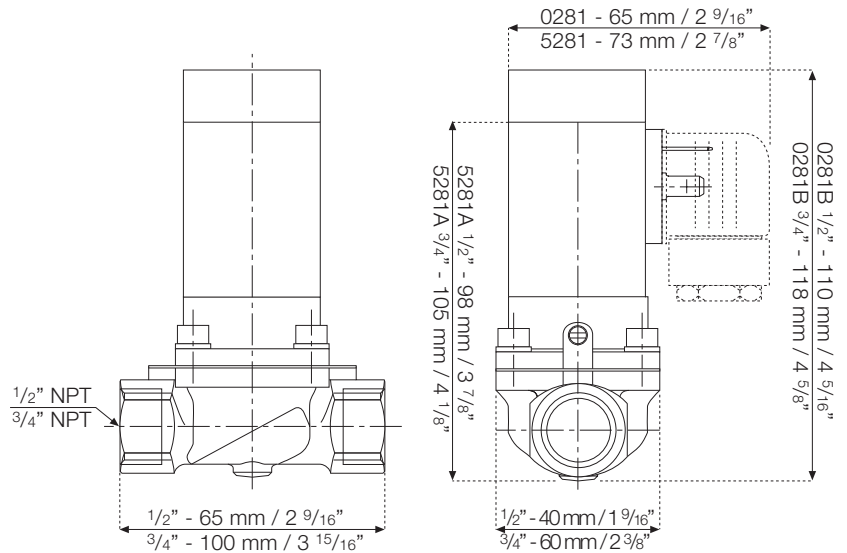


2-Way Normally Open



Model 5281A Normally Closed

Model 0281B Normally open



Notes:

- (1) Max. ambient temperature is determined under continuously energized conditions, and with max. fluid temperature.
- (2) 5281A AC coils can be replaced with AC or DC coils; DC coils can be replaced only with other DC coils. 0281B coils are not replaceable.
- (3) A minimal pressure differential of 0.5 bar (7.5 psi) is required for complete opening.

