



Hydraulic Control Valve

Normally Closed with Hydraulic Control

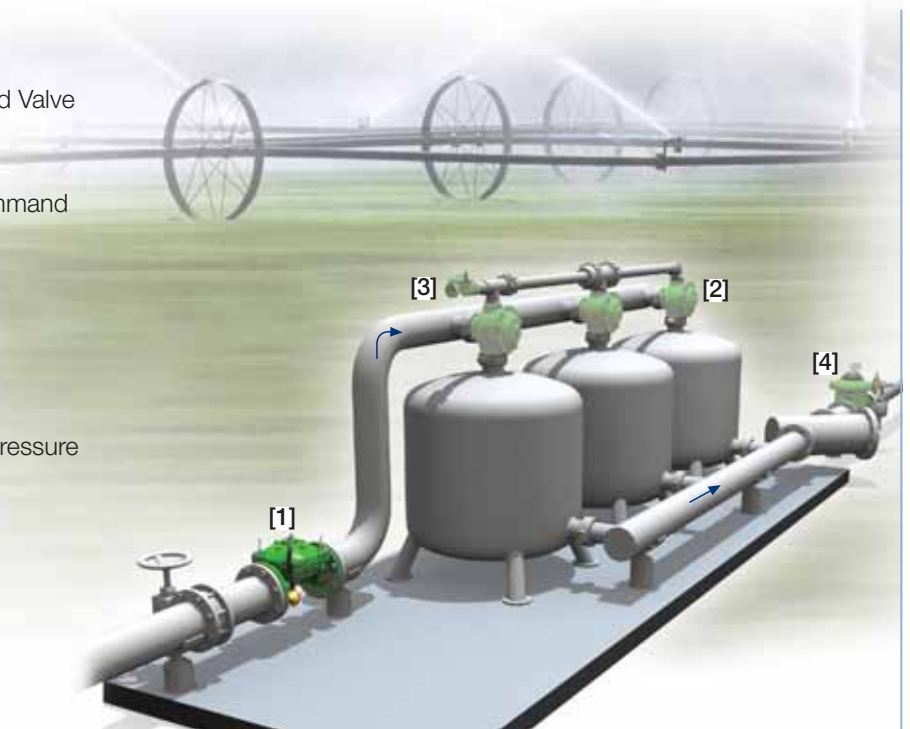
IR-405-54-RXZ

The BERMAD Normally Closed, Hydraulic Control Valve with Hydraulic Control is a hydraulically operated, diaphragm actuated control valve, which opens in response to a remote pressure rise command and shuts in the absence of that command.



Features and Benefits

- Hydraulically Controlled, Normally Closed Valve
 - Line pressure driven
 - Closes upon control failure
 - Amplifies and relays weak remote command
 - Hydraulically controlled On/Off
- Advanced Globe Hydro-Efficient Design
 - Unobstructed flow path
 - Single moving part
 - High flow capacity
- Fully Supported & Balanced Diaphragm
 - Requires low opening and actuation pressure
 - Progressively restrains valve closing
 - Prevents diaphragm distortion
- User-Friendly Design
 - Simple in-line inspection
 - Easy addition of control features

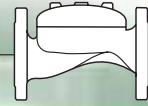


Typical Applications

- Computerized Irrigation Systems
- Remote and/or Elevated Systems
- Large Diameter Distribution Centers
- Irrigation Machines
- Low Supplied Pressure Irrigation Systems

- [1] BERMAD Model IR-405-54-RXZ opens upon command pressure rise.
- [2] BERMAD Backwash Valve Model IR-3x2-350-A-I
- [3] BERMAD Backwash Flow Control Valve Model IR-470-bKU
- [4] BERMAD Pressure Reducing Hydrometer Model IR-920-M0-R

BERMAD Irrigation



IR-405-54-RXZ

For full technical details, refer to Engineering Section.

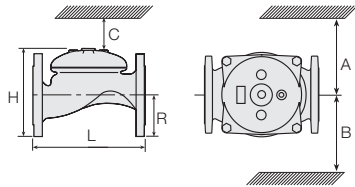
400 Series

On/Off Control

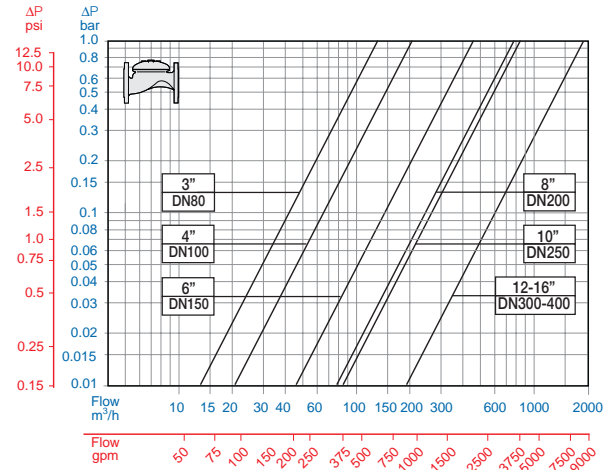
Technical Specifications

Dimensions and Weights

Size	DN Inch	80 3	100 4	150 6	200 8	250 10	300 12	350 14	400 16
L	mm	250	320	415	500	605	725	742	742
	inch	9.8	12.6	16.3	19.8	23.8	28.5	29.2	29.2
H	mm	210	242	345	430	460	635	655	965
	inch	8.3	9.5	13.6	16.9	18.1	25	25.8	38
C	mm	125	145	207	258	276	381	393	579
	inch	5	5.7	8.2	10.2	10.9	15	15.5	22.8
R	mm	100	112	140	170	202	242	260	300
	inch	3.9	4.4	5.5	6.7	8	9.5	10.2	11.8
A; B	mm	300	312	353	383	403	490	494	500
	inch	11.8	12.3	13.9	15.1	15.9	19.3	19.4	19.7
Weight	Kg	19	28	68	125	140	290	358	377
	lb.	41.9	61.7	149.9	275.6	308.6	639.3	789.2	831.1



Flow Chart



Technical Data

Patterns and Sizes: Globe: 3-16"; DN80-400 Angle: 3-4"; DN80-100

End Connections:

Size		3"	4"	6"	8-16"
		DN80	DN100	DN150	DN200-400
Threaded	Globe	■			
	Angle	■			
Flanged	Globe	■		■	■
	Angle	■	■		
Grooved	Globe	■	■	■	
	Angle	■	■		

Pressure Rating: 16 bar; 232 psi

Operating Pressure Range: 0.5-16 bar; 7-232 psi

For lower pressure requirements, consult factory

Materials:

Body and Cover:

Polyester Coated Cast or (10"; DN250 and larger) Ductile Iron

Spring: Stainless Steel

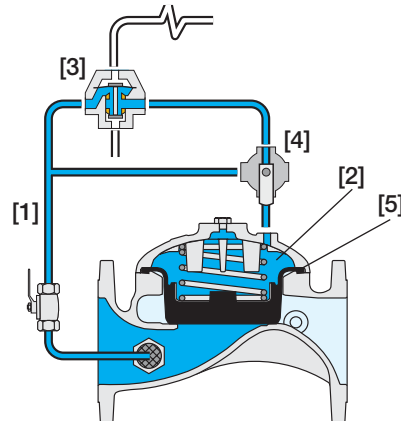
Diaphragm: Nylon fabric Reinforced NR with rugged insert

Bolts, Studs and Nuts: Zinc-Cobalt plated Steel

Control Accessories: Brass

Tubing and Fittings: Reinforced Plastic and Brass

Operation



Line Pressure [1] is applied to the Control Chamber [2] through the held open, 3-Way Hydraulic Relay Valve (3W-HRV) [3] and the Manual Selector [4]. This creates superior closing force that moves the Diaphragm Assembly [5] toward a closed position. Upon receiving a pressure rise command, the 3W-HRV releases pressure from the control chamber, thereby opening Valve.

How to Order

Please specify the requested valve in the following sequence: (for more options, refer to Ordering Guide.)

Sector	Size	Primary Feature	Additional Feature	Additional Feature	Pattern	Construction Materials	End Connections	Coating	Voltage -Main Valve Position	Tubing & Fittings	Additional Attributes
IR	3-16" <small>Other sizes available on request.</small>	405	54	-	G	I	16	PG	-	PB	RXZ
		Globe Angle (up to 4"; DN100)	ISO-16 ISO-10 IS 14 (ISO 10/4 Holes) ANSI-125 ANSI-150 JIS-10 BSTD Grooved (3-6"; DN80-150 only)		16 10 14 A1 A5 J1 BD VI	Plastic Tubing & Brass Fittings Copper Tubing & Brass Fittings		PB CB		Metal Control Accessories 3-Way Control Manual Selector Valve Position Indicator ⁽¹⁾ Flow Stem ⁽¹⁾	R X Z I M
		Cast Iron (up to 8"; DN200) Ductile Iron (10"; DN250 & above)									

(1) Standard Irrigation Cover & Diaphragm are unfitted to Attributes I, M.
Other attributes available on request.

Other end connections available on request



info@bermad.com • www.bermad.com

The information herein is subject to change without notice. BERMAD shall not be held liable for any errors. All rights reserved. © Copyright by BERMAD.

PC4AE05-54R 05