

# Bermad Landscape



Pressure Reducing Filter



Electric Filter Valve



Electric Manifold Valve

**NEW**

## Water Control Solutions for Residential Landscape Systems

- Compact, modular residential landscape system
- For low volume landscape; drip , microjet and sprinkler systems
- All-in-one system makes installation and maintenance quick and easy

Water Control Solutions



# BERMAD

Water Control Solutions

  
BERMAD  
Waterworks

  
BERMAD  
Fire Protection

  
BERMAD  
Petroleum

  
BERMAD  
Irrigation

  
BERMAD  
Landscape



[info@bermad.com](mailto:info@bermad.com) • [www.bermad.com](http://www.bermad.com)

The information herein is subject to change without notice. BERMAD shall not be held liable for any errors. All rights reserved.  
© Copyright by BERMAD.

PCOGE08 10-08

# BERMAD Landscape

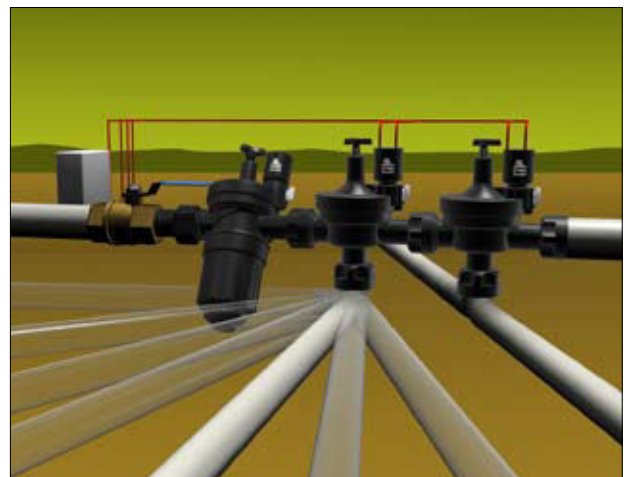
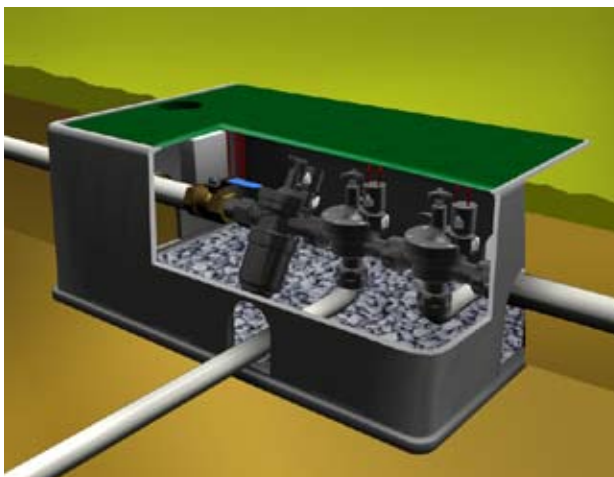
## The ultimate residential landscape system with advanced all-in-one design and simple assembly

Bermad's residential landscape system is designed for gardens and landscapes where space is limited. The all-in-one construction eliminates parts, taking up less space and easily fits into a valve box. Only Bermad offers a hand-adjustable pressure regulator, enabling complete control over water pressure and flow. The system connects to an irrigation controller for efficient water management. In the event of power failures, the system can be manually controlled.

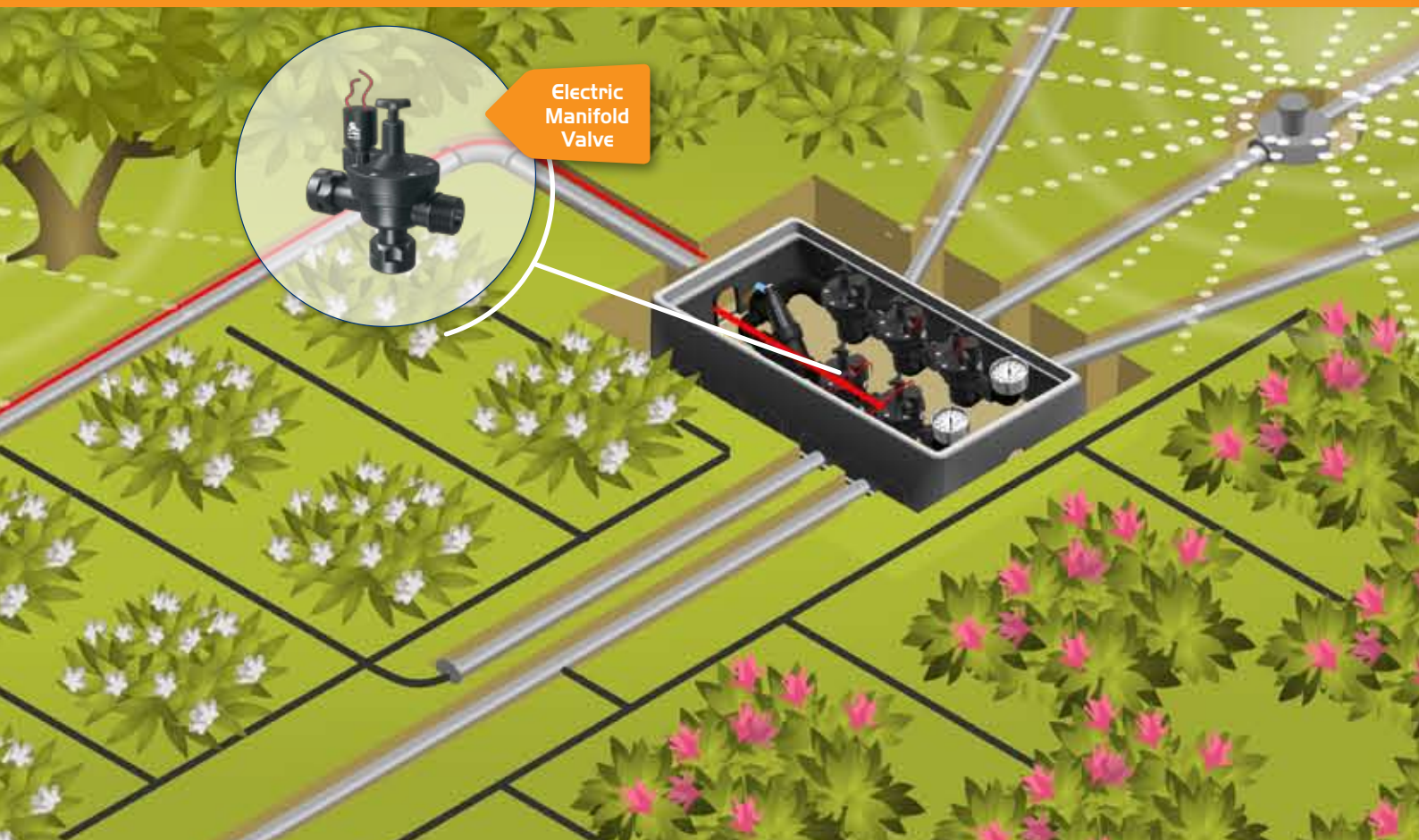
Made from high-quality, durable materials, Bermad's residential landscape system ensures long-life and trouble-free operation. Every element of the system is manufactured to international quality standards, delivering optimal performance. Bermad brings you the highest quality pressure regulator, filter, and electric valve in a handy all-in-one system for quick and easy assembly-no connectors needed and no tools required!

### Features and Benefits

- Saves space - Compact modular system is ideal for gardens and landscapes including drip irrigation, micro irrigation and sprinkler systems
- All-in-one - One system including low-flow irrigation valve, pressure regulator, and filter (in single-piece construction), thereby reducing system components
- Quick installation - Fast DIY assembly; no tools needed
- Long-lasting - Manufactured from high-quality, durable materials to ensure long life and trouble-free operation
- Reliable performance - Each component is manufactured to the highest standards
- Cost-effective - Enables tight control over water flow and usage
- Compatible - Connects to most irrigation controllers for efficient water management



# BERMAD Landscape



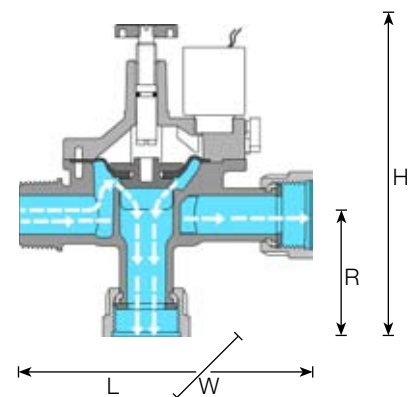
Electric Manifold Valve

## Electric Manifold Valve (EMV)

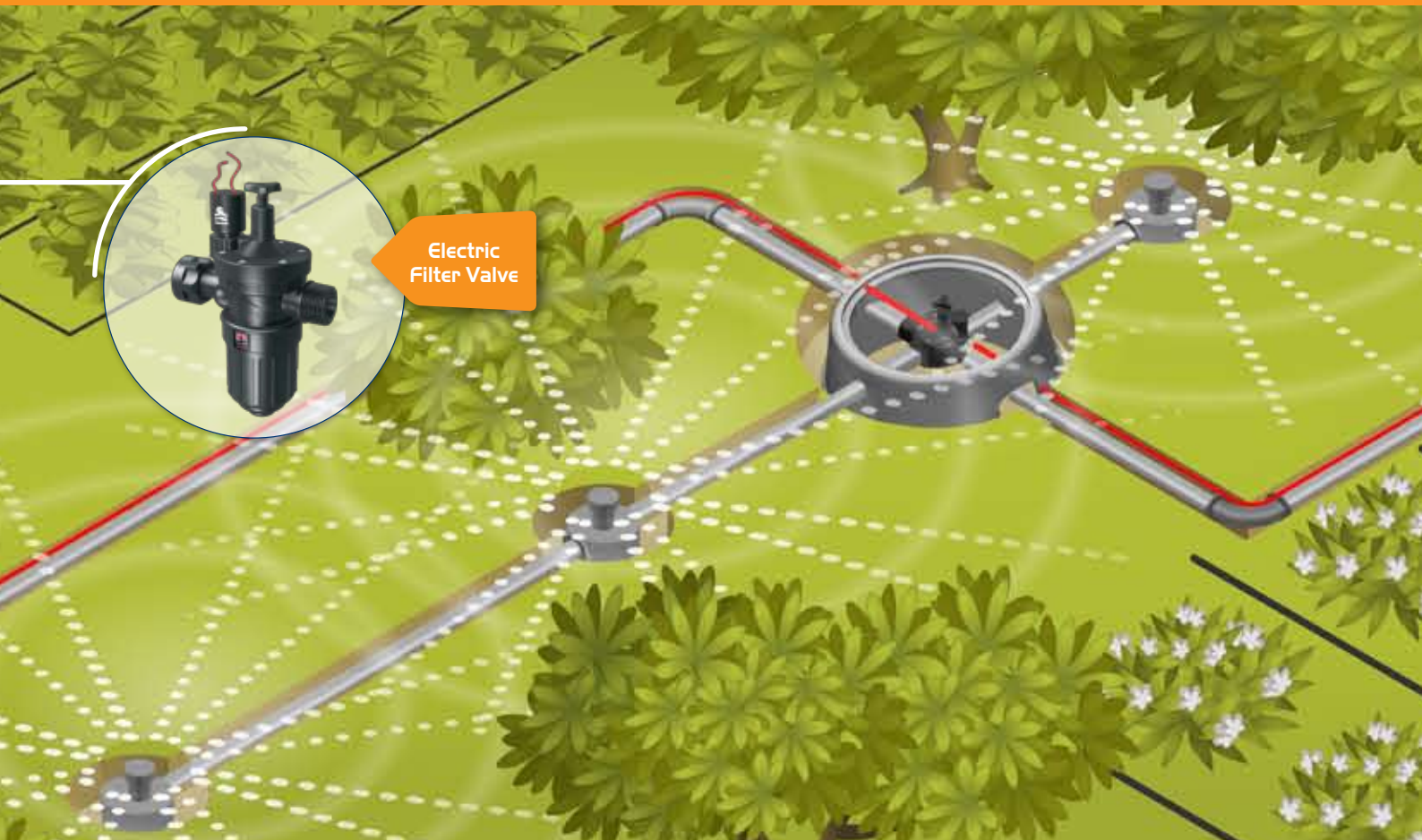
- Single-piece construction combines Electric Manifold Valve (EMV)
- Cost saving through low power requirements
- Advanced design-
  - Saves space
  - Enables quick and easy installation
  - Delivers excellent hydraulic performance
  - Handles varying water pressure
  - Prevents coil from overheating
  - Reduces damage from scale deposits
  - Cuts down on infrastructure
  - Enables quiet, controlled and shock-free shutdown process
- Self-cleaning mechanism ensures trouble-free operation
- Optional manual operation enables watering in the event of power failures
- Stainless steel filter ensures ongoing water quality during irrigation
- Connects to irrigation controllers

Technical Specifications	
Body & Cover:	Reinforced nylon
Metal Parts:	Stainless steel
Diaphragm:	NR
Seals:	NBR (Buna-N)
End Connection:	1"/25 mm
Inlet:	Male BSP; NPT
Outlet:	Female BSP-Union; NPT-Union
Pressure	
Pressure & Flow Rating:	9 bar: 130 psi
Flow Range:	0.01-3 m <sup>3</sup> /h: 0.04-13 gpm
	KV=8.8 m <sup>3</sup> /h; CV=10.17 gpm
Electrical Data	
Solenoid:	S-390-24V/AC
Holding current:	125 mA
Inrush current:	250 mA
Protection:	IP68
Solenoid:	S-392:6-20 V/DC (LATCH)
Voltage Range:	6-20 V/DC
Pulse Width:	20-100 m/Sec
Recommended Capacitor:	4700 qF
Protection:	IP68
Dimensions and Weight	
Length:	4.92"/125 mm
Height:	5.35"/136 mm
Width:	3.15"/80 mm
Weight:	0.75 lb/0.342 kg

Ordering Information-Manifold Valve 24 V/AC GM1 V/AC & 6-20 V/DC LATCH		
GM101GP2BR000M0	Manifold Valve, Solenoid Controlled, Male Inlet, Union Outlet	16
GM101GP9BR000M0	Manifold Valve, Latch Solenoid Controlled, Male Inlet, Union Outlet	16



# BERMAD Landscape



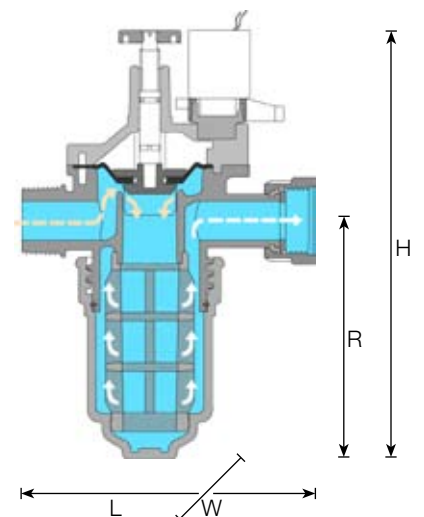
Electric Filter Valve

## Electric Filter Valve (EFV)

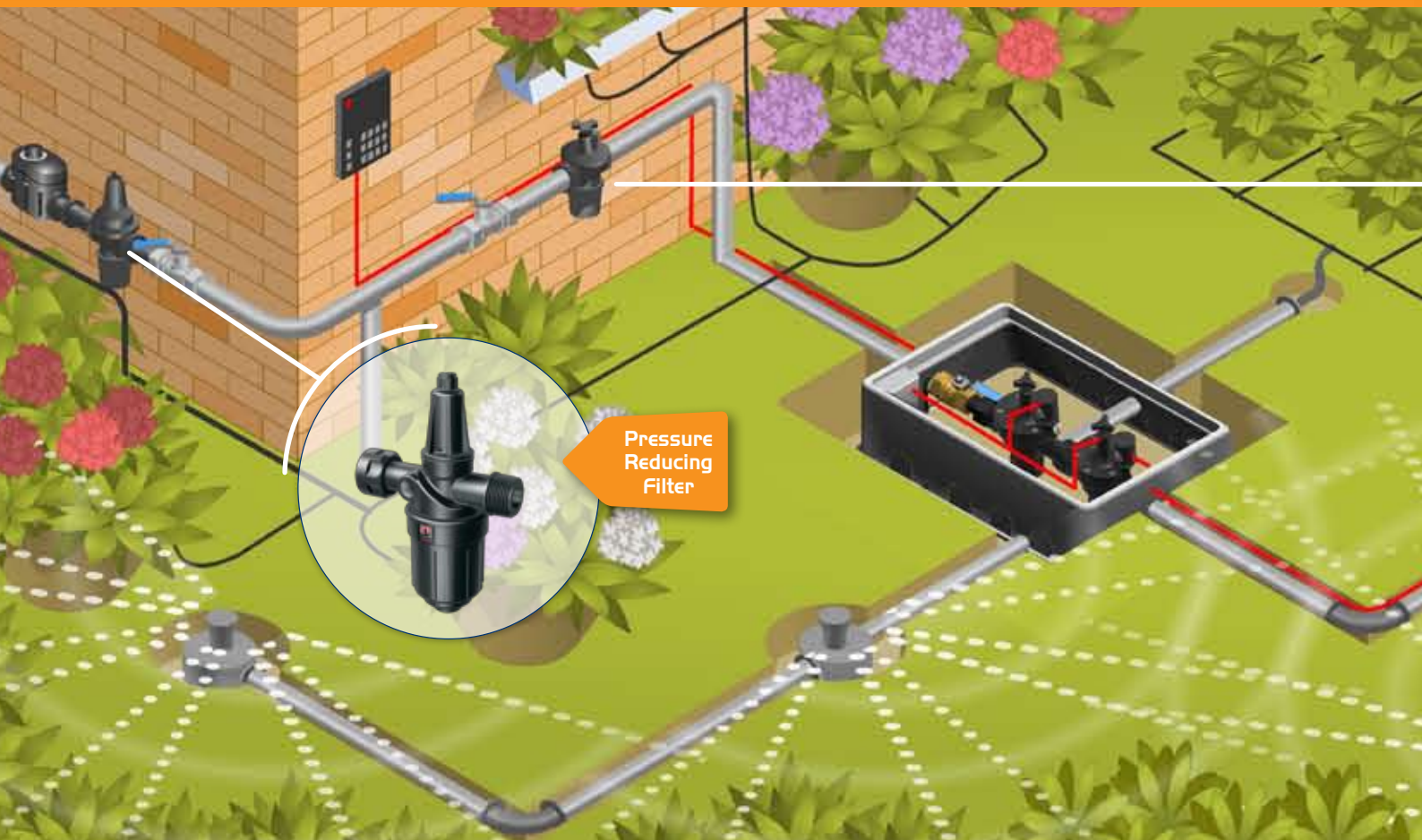
- Single-piece construction combines electric valve with filter
- Cost saving through low power requirements
- Advanced design-
  - Saves space
  - Enables quick and easy installation
  - Delivers excellent hydraulic performance
  - Handles varying water pressure
  - Enables quiet, controlled and shock-free shutdown process
- Stainless steel filter ensures ongoing water quality during irrigation
- Self-cleaning mechanism ensures trouble-free operation
- Optional manual operation in the event of power failure
- Connects to irrigation controllers

Technical Specifications	
Body & Cover:	Reinforced nylon
Metal Parts:	Stainless steel
Diaphragm:	NR
Seals:	NBR (Buna-N)
Filter Screen:	Stainless steel-130 micron
Filter Cover:	Polypropylene
End Connection:	1"/25 mm
Inlet:	Male BSP; NPT
Outlet:	Female BSP-Union; NPT-Union
Pressure	
Pressure & Flow Rating:	9 bar:130 psi
Flow Range:	0.01-3 m <sup>3</sup> /h : 0.04-13 gpm
KV =	8.08 m <sup>3</sup> /h; CV = 9.33 GPM
Electrical Data	
Solenoid:	S-390-2W-24V/AC
Holding current:	125 mA
Inrush current:	250 mA
Protection:	IP68
Solenoid:	S-392-2W-6-20V/DC (LATCH)
Voltage Range:	6-20 V/DC
Pulse Width:	20-100 mSec
Recommended Capacitor:	4700 qF
Protection:	IP68
Dimensions and Weight	
Length:	4.92"/125 mm
Height:	8.19"/208 mm
Width:	3.15"/80 mm
Weight:	0.90 lb/0.395 kg

Ordering Information - Filter Valve -		
24 V/AC & 6-20 V/DC LATCH		
GF101GP2BR000M0	Filter Valve - for all models, Solenoid Controlled, Male Inlet, Union Outlet	16
GF101GP9BR000M0	Valve Filter, Latch Solenoid Controlled, Male Inlet, Union Outlet	16



# BERMAD Landscape



## Pressure Reducing Filter (PRF)

- Single-piece construction combines Pressure Reducing Filter (PRF)
- Excellent hydraulic performance and proven reliability
- Adjustable pressure regulator reduces water pressure as needed, and according to prevailing conditions and seasonal changes
- Rolling diaphragm enables smooth, ongoing water flow
- Durable glass-reinforced nylon body
  - Saves space
  - Enables quick and easy installation
  - Provides minimal flow resistance
  - Delivers instant accurate response
  - Protects the diaphragm from erosion
  - Offers reliable use with fertilizer and dirty water
  - Stainless steel filter ensures ongoing water quality during irrigation

Technical Specifications	
Body & Cover:	Reinforced nylon
Metal Parts:	Stainless steel
Diaphragm:	NBR (Buna-N) Reinforced nylon fabric
Springs:	Stainless steel
Filter Screen:	Stainless steel-130 micron
Filter Cover:	Polypropylene
End Connection:	1"/25 mm
Inlet:	Male BSP; NPT
Outlet:	Female BSP-Union; NPT-Union
Pressure	
Pressure Rating:	9 bar: 130 psi
Flow Range:	0.01-3 m <sup>3</sup> /h : 0.04-13 gpm
KV=3.6 m <sup>3</sup> /h/ CV=4.15 gpm	
Dimensions and Weight	
Length:	4.92"/125 mm
Height:	8.15"/207 mm
Width:	3.15"/80 mm
Weight:	0.62 lb/0.280 kg

Ordering Information - Regulator Filter		
GRV01GP0BR00014	1.4 Bar; 20 PSI Regulator Filter, Male Inlet, Union Outlet	16
GRV01GP0BR00025	2.5 Bar; 36 PSI Regulator Filter, Male Inlet, Union Outlet	16
GRV01GP0BR05014	1.4 Bar; 20 PSI Low-Flow Regulator Filter, Male Inlet, Union Outlet	16
GRV01GP0BR05025	2.5 Bar; 36 PSI Low-Flow Regulator Filter, Male Inlet, Union Outlet	16

