

2/2 solenoid Valve

High-Pressure Servo-Assisted Piston Actuated

This is a piston actuated 2-way servo-assisted pilot operated 2-way solenoid valve.

It is available in two versions:

- Normally closed (model: 5404A)
- Normally open (model: 0404B)

Features

- High pressure applications
- Unaffected by pressure surges
- Normally open or closed version

Technical Data

Standard materials:

Body: Brass

Elastomers: NBR & PTFE

Enclosure: Molded epoxy

Internals: Stainless steel

Ports: 1/2" NPT

Temperature:

Nominal ambient: 0.5 to 55°C (33 to 131°F)⁽¹⁾

Maximum fluid: 0 to 90°C (32 to 194°F)

Enclosure type:

One-piece molded epoxy.

General purpose: IP 65 with DIN, cable plug

Electrical data:

Voltages:⁽²⁾

(ac): 24, 110, 220 (50Hz)

(ac): 24, 120, 240 (60Hz)

(dc): 24, 110, 220

Tolerance: ± 10%

Power consumption:

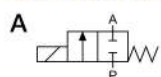
(ac): 21 VA, inrush; 12 VA (8W), holding

(dc): 8W

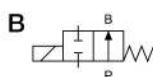
Hydraulic data:

Circuit Functions	Orifice DN	Flow Factor		Pressure Range ⁽³⁾	
		mm	Kv	Cv	Bar
A (N.C.)	12	2.0	2.3	1-50	15-725
B (N.O.)	12	2.0	2.3	1-32	15-464

Circuit functions



2/2-way
Normally Closed



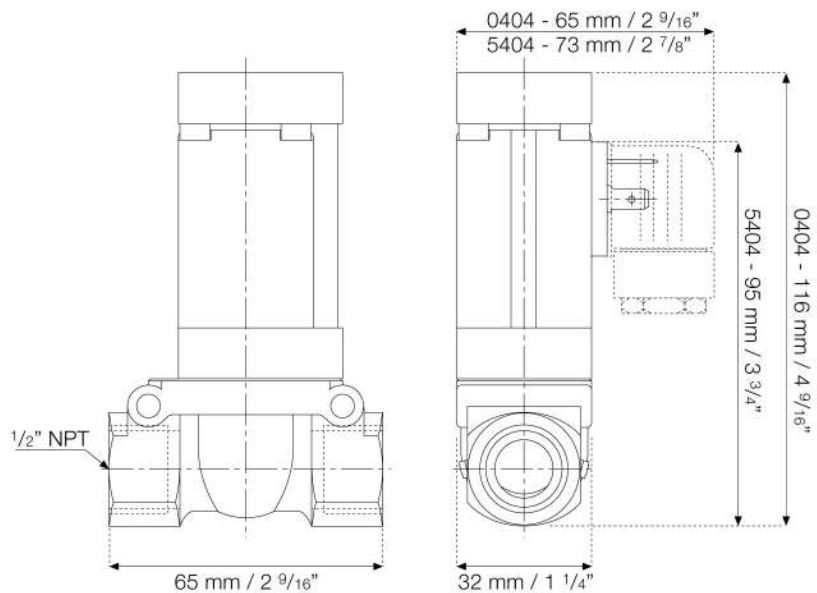
2/2-way
Normally Open



Model 5404A



Model 0404B



Notes:

- (1) Max ambient temperature is determined under continuously energized conditions, and with max. fluid temperature.
- (2) 5404A AC coils can be replaced with AC or DC coils; DC coils can be replaced only with other DC coils. 0404B coils are not replaceable.
- (3) A minimal pressure differential of 1.0 bar (15 psi) is required for complete opening