

Hydraulic Relay Valve (HRV)

This 2-way, single-chamber, hydraulic relay valve, is a hydraulically-operated, diaphragm-actuated, control valve that either opens fully or shuts-off in response to pressure applied to its control chamber.

Technical Data

Pressure rating: 25 bar (350 psi)

Working temperature: Water up to 80°C (180°F)

Flow factor: Kv 1.3 (Cv 1.5)

Standard materials:

Body & cover: Brass

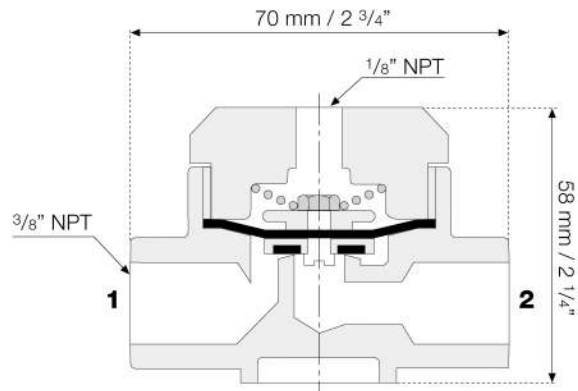
Elastomers: NBR

Internals: Stainless steel & brass

Optional materials:

Metal parts: Stainless steel, Nickel aluminum bronze, Hastalloy

Elastomers: FPM (Viton®)



Weight: 0.6 Kg / 1.3 lbs.