

# 2-WAY SOLENOID VALVE

## Servo-Assisted Diaphragm Actuated

### Burkert 6281 Series

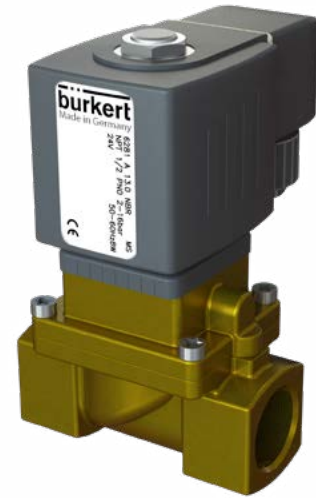
This is a diaphragm actuated, servo-assisted pilot operated 2-Way solenoid valve.

It is available in two versions:

- Normally Closed (Model: 6218A)
- Normally Open (Model: 6218B)

### Features

- High flow rates (low head loss)
- Normally Open, Normally Closed or Latch versions



### Technical Data

**Ports:** 1/2", 3/4" NPT

**General purpose:** IP 65 with DIN, cable plug

**Standard materials:**

**Body:** Brass

**Elastomers:** NBR

**Enclosure:** Molded epoxy

**Internals:** Stainless Steel

**Temperature:**

**Nominal ambient:** 0.5 to 55°C; 33 to 131°F<sup>(1)</sup>

**Maximum fluid:** 0 to 90°C; 32 to 194°F

**Electrical data:**

**Voltages:**<sup>(2)</sup>

(ac): 24, 110, 220 (50Hz)

(ac): 24, 120, 240 (60Hz)

(dc): 24, 110, 220

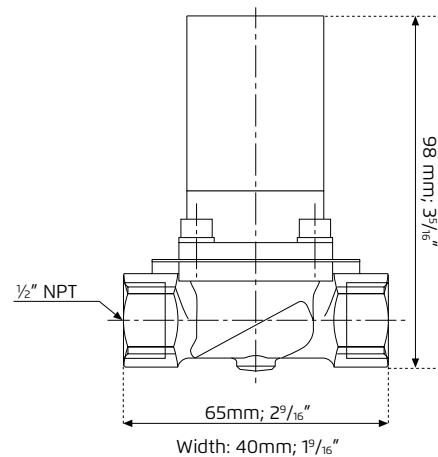
Latch: 9VDC

**Tolerance:** ±10%

**Power consumption:**

(ac): 21 VA, inrush; 12 VA (8W), holding

(dc): 8W



### Hydraulic data:

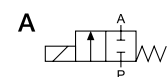
Port Size	Orifice DN	Flow Factor		Pressure Range <sup>(3)</sup>	
		Kv	Cv	Bar	psi
1/2"	13	3.8	4.4	0.2-16	3-230

### Notes:

<sup>(1)</sup> Max. ambient temperature is determined under continuously energized conditions, and with max. fluid temperature.

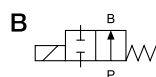
<sup>(2)</sup> A minimal pressure differential of 0.5 bar (7.5 psi) is required for complete opening.

### Circuit functions



2-Way

Normally Closed



2-Way

Normally Open