



Diaphragm Type, Direct Acting Pressure Relief Valve / Fire Pump Casing Relief Valve

Model FP-3HC-0

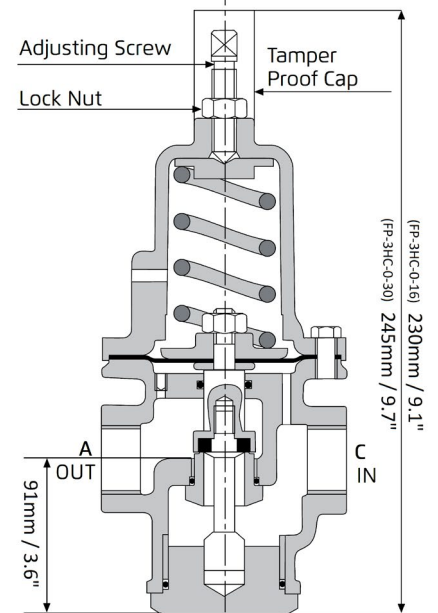
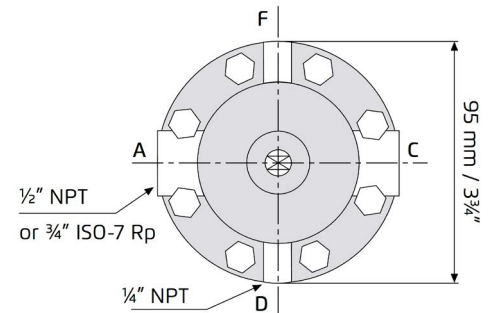
The BERMAD model FP-3HC-0 is a direct acting, spring loaded, diaphragm type, relief valve.

The single port is held closed by the force of the adjustable spring located above the pressure sensing diaphragm. When the force of the pressure sensed under the diaphragm exceeds the force of the spring the valve will open to relieve pressure and will close tight when pressure falls below the pre-set value.

This UL Listed and FM Approved valve is well suited for use in protecting wet sprinkler systems from overpressure that occurs from temperature fluctuations and for fire pump casing relief as required by the NFPA 20 and NFPA 13 standards.



(for Illustration Only)



WEIGHT: FP-3HC-0-16 = 3.5 kg / 7.9 lbs
 FP-3HC-0-30 = 4.2 kg / 9.3 lbs

Features

- Tight closing with accurate pressure control
- Fast immediate response to pressure rise
- Easy in-field pressure setting adjustment
- UL/FM Approved
- Available in corrosion resistant materials
- Tamperproof cap

Typical Applications

- Fire pump casing relief
- Pressurized sprinkler systems
- Thermal release for wet piping systems
- Pressure relief for pressure control valves
- Jockey pump overpressure

Technical Data

- **Process connections:** 3/4" ISO-7 Rp
- **Pressure Rating:** 25 bar (365 psi)
- **Working temperature:** Water up to 80°C (180°F)
- **Pressure gauge connection:** 1/4" NPT (F)

Standard Materials

- **Body:** Stainless Steel 316
- **Cover and lower plug:** Brass
- **Elastomers:** NBR
- **Internals:** Stainless Steel & Brass
- **Spring:** Galvanized Steel

Optional Materials

- All Stainless Steel 316, CF8M Body
- Nickel Aluminum Bronze ASTM B171 C63000
- Super Duplex S.S.

Setting Range and Adjustment

Model	Bermad Cat No.	Pressure		In field adjustment
		bar	psi	1 Turn of adjusting screw = approx
FP-3HC-0-16	50040NH700	1-16	15-235	2.2 bar/31.3 psi
FP-3HC-0-30	50040NH800	7-25	100-365	1.8 bar/25.7 psi

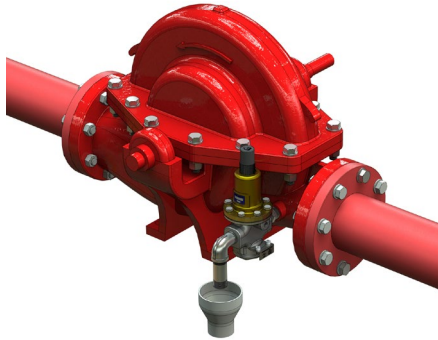


Typical Installations

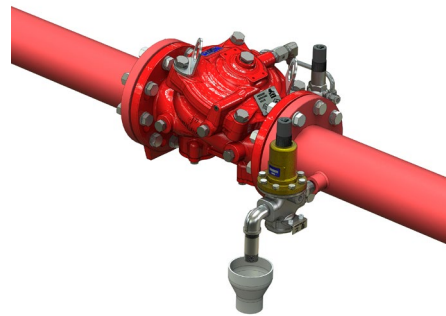
The BERMAD FP-3HC-0 direct pressure relief valve will accurately relieve pressure above a pre-set value and will seal drip tight when the pressure is below the pre-set value.

Typical installations of the BERMAD FP-3HC-0 include use as a pump casing circulation relief valve to prevent pump overheating at churn, zero flow or shut off conditions, also used for pressure build up prevention from thermal expansion in wet pipe systems and overpressure prevention downstream of pressure control/reducing valves.

(for Illustration Only)



Fire pump casing relief valve
for overheating prevention



Pressure relief downstream of
pressure control / reducing valves

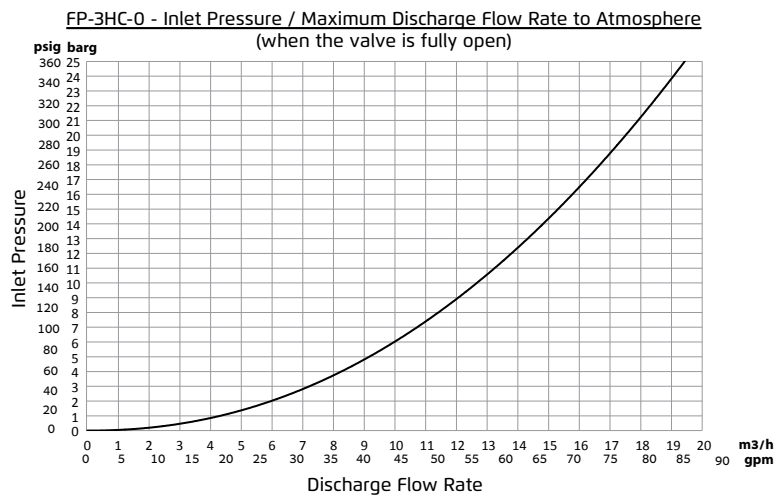
Installation

The valve can be installed in any orientation, vertical or horizontal, ensure an unrestricted relief passage from the valve to the atmosphere.

Be sure not to install the valve at any low point or at the bottom of the piping, where accumulated debris might enter the valve and hamper correct functioning.

The valve will occasionally open to release over pressure, expelling water to the atmosphere. Where relevant, install piping to direct the expelled water to a preferred drainage point.

NOTE: Model FP-3HC-0 is suitable for minimum flow fire pump applications, it is not suitable for discharging the full-rated pump capacity of a fire pump. For full rated fire pump relief valves See [www.bermad.com](#) or [www.bermad.com](#)



Engineer Specifications

The relief valve shall be UL listed and FM approved.

The valve shall be of a diaphragm assisted direct acting type, constructed with corrosion resistant materials throughout.

The adjustment assembly shall be protected from unintended adjustment by a tamperproof wire sealable cover.

Pressure gauge ports shall be available at either side of the valve.

Each valve shall be assembled and hydraulically tested at a factory certified to ISO 9000 and 9001 standards.

