

## Manual Emergency Release Model D

The Model D Manual Emergency Release is a normally closed release device, used for manually opening a deluge valve.

It is connected to BERMAD Classic deluge, Pre-action or Dry pipe Valve's standard control trims and can also be mounted on the wet or dry pilot line, as a remote manually operated station.

The 316 Stainless Steel Manual Emergency Release (model DN) is suited for more corrosion resistant requirements.

UL Listed for Special Fire Protection Systems<sup>(1)</sup>.



(for illustration only)

### Available Models

- Model D: Standard
- Model DN: All Stainless Steel 316
- Model DM: Monel valve Wetted parts

### Materials of Construction

#### Model D - Standard

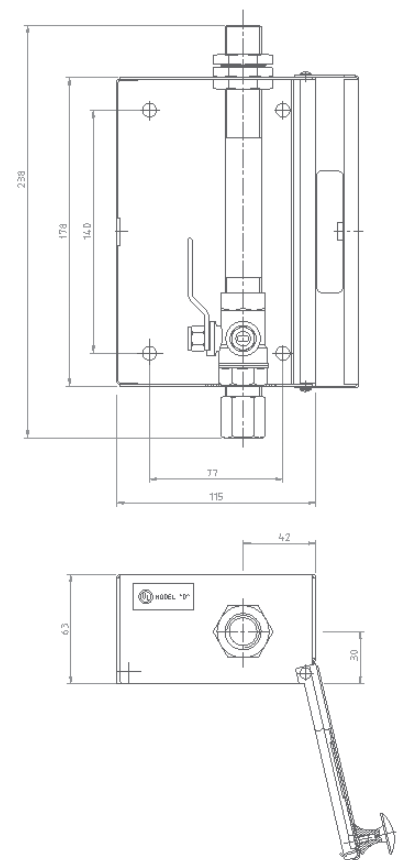
- Release Valve: Nickel Plated Brass
- Seals: PTFE
- Mounting Box: Polyester coated Stainless Steel 304
- Fittings: Stainless Steel 316
- Fastenings: Stainless Steel 316
- Label: Molded PVC

#### Model DN - All SS316

- Release Valve: Stainless Steel 316
- Seals: PTFE
- Mounting Box: Polyester coated Stainless Steel 316
- Fittings: Stainless Steel 316
- Fastenings: Stainless Steel 316
- Label: Molded PVC

#### Model DM - Monel

- Release Valve: Monel 400
- Seals: PTFE
- Mounting Box: Polyester coated Stainless Steel 316
- Fittings: Stainless Steel 316
- Fastenings: Stainless Steel 316
- Label: Molded PVC



### Pressure Rating

- Water: 25 bar (365 psi)

### End Connections

- G 1/2" Male Inlet (suited to 1/2" NPT(F) counter thread)
- 1/2" NPT Female Outlet

#### Notes:

<sup>(1)</sup> Approved when installed on BERMAD Deluge valves or used for remote release for BERMAD deluge valve

<sup>(2)</sup> For more details about the release valve, see BERMAD publication "2-Way Ball Valve"