

Orifice Plate Assembly

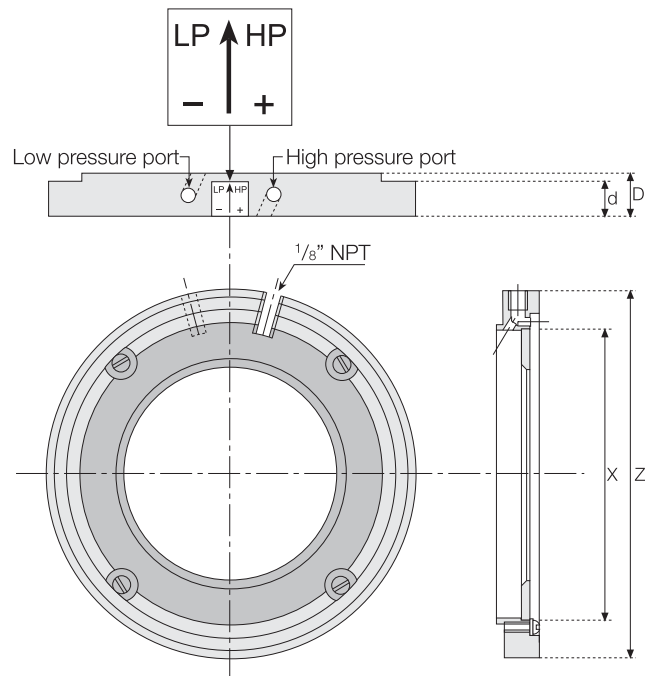
When an orifice plate assembly is used as an integral part of a flow control valve control circuit, it provides the differential pressure (ΔP) to power the flow control pilot. The opening and closing of the pilot causes the flow control valve to throttle accordingly. Total head loss across the valve is reduced by locating sensing ports close to the orifice plate, to sense downstream pressure before it recovers. The orifice plate internal diameter is calculated and machined according to valve size and required flow limitation.

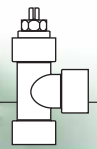
Technical Data

- Body material:** Fusion bonded epoxy Steel or Stainless Steel
- Orifice plate:** Stainless Steel
- Sensing ports:** 1/8" NPT
- Standard calculated differential pressure:** 0.4 bar (5.5 psi)

Dimensions

Size		Z		X		d		D	
mm	inch	mm	inch	mm	inch	mm	inch	mm	inch
50	2	94	3 11/16	53	2 1/16	20	3/4	25	1
65	2 1/2	106	4 3/16	61	2 3/8	20	3/4	25	1
80	3	126	4 15/16	73	2 7/8	20	3/4	25	1
100	4	155	6 1/8	96	3 3/4	20	3/4	25	1
150	6	210	8 1/4	150	5 15/16	20	3/4	25	1
200	8	265	10 3/8	195	7 11/16	20	3/4	25	1
250	10	320	12 5/8	245	9 5/8	20	3/4	25	1
300	12	372	14 5/8	295	11 5/8	20	3/4	25	1
350	14	418	16 7/16	345	13 5/8	24	15/16	30	1 3/16
400	16	482	19	395	15 9/16	20	3/4	25	1
450	18	535	21 1/16	443	17 7/16	20	3/4	28	1 1/8
500	20	590	23 1/4	501	19 3/4	22	7/8	31	1 3/16





Orifice Assembly

When an orifice assembly is used as an integral part of a flow control valve control circuit, it provides a Pressure Differential (ΔP) in direct proportion to the flow rate. This ΔP sensed by the flow control pilot, powering it to open or close. The opening and closing of the pilot causes the flow control valve to throttle accordingly. The orifice internal diameter is calculated and machined according to valve size and required flow limitation.

Technical Data

Body material:

Coated Cast Iron (2"; DN50), Coated Steel (3"; DN80)

Orifice plate: Stainless Steel

Sensing ports: 1/4" NPT

Standard calculated (ΔP): 0.4 bar (5.5 psi)



Size	DN50	2"	DN80	2"
D	95 mm	3 ³ / ₄ "	91 mm	3 ⁹ / ₁₆ "
LB	60 mm	2 ³ / ₈ "	70 mm	2 ³ / ₄ "
LT	19 mm	3/4"	30 mm	1 ³ / ₁₆ "
P	5 mm	3/16"	5 mm	3/16"
R	44.9mm	1 ³ / ₄ "	84mm	3 ⁵ / ₁₆ "
TF	G2	2" BSP-F	R3	3" BSP-F
TM	R2	2" BSP-T	R3	3" BSP-T
TP	1/4" NPT			

