



Quick Pressure Relief Pilot Valve, Plastic

Model PC-3Q-P

This pilot integrates all principal functions of a 2-Way control circuit in a single assembly. It is a direct acting pilot valve, actuated by a pressure responsive diaphragm, which seeks to reach equilibrium between hydraulic and set spring forces.

The pilot opens at upstream pressure rise above set point.

An integral restriction acts as an upstream flow restrictor smoothing valve closing and simplifying the control circuit.

Features

- Internal restriction

Application

Pressure relief valve quick type sizes 1 1/2-4"

Technical data

Pressure Rating: 10 bar; 145 psi

Working Temperature: Water up to 50°C; 122°F

Flow Factor: Kv 0.29 m³/h @ 1bar ΔP; Cv 0.33 GPM @ 1psi ΔP

Standard Materials:

Body & cover: Polyamit 6 + 30% F.G.

Elastomers: NBR

Internals: Stainless Steel & Brass

Spring: Galvanized Steel.

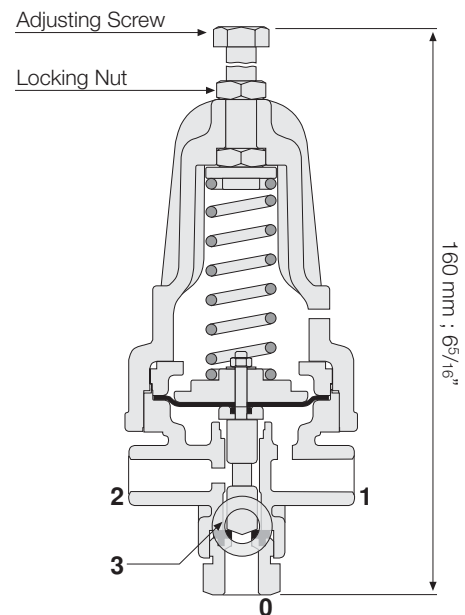
Ports: 1/8" NPT

Adjustment Range

Spring	Pressure		
	bar	psi	
H-Orange	1-7	15-100	Standard
N-Natural	0.8-6.5	11-95	Optional
K-Gray	0.5-3	7-40	

Connections

- 1 - Upstream
- 2 - Plugged
- 3 - Valve control chamber
- 0 - Downstream



Weight: 0.25 Kg; 0.55 lbs.





Quick Pressure Relief Pilot Valve

Model PC-3Q-M

This pilot integrates all principal functions of a 2-Way control circuit in a single assembly. It is a direct acting pilots valve, actuated by a pressure responsive diaphragm, which seeks to reach equilibrium between hydraulic and set spring forces. The pilot opens at upstream pressure rise above set point. An integral restriction acts as an upstream flow restrictor smoothing valve closing and simplifying the control circuit.

Features

- Internal restriction
- Direct pressure gauge installation

Application

Pressure relief valve quick type sizes 1 1/2-4"

Technical data

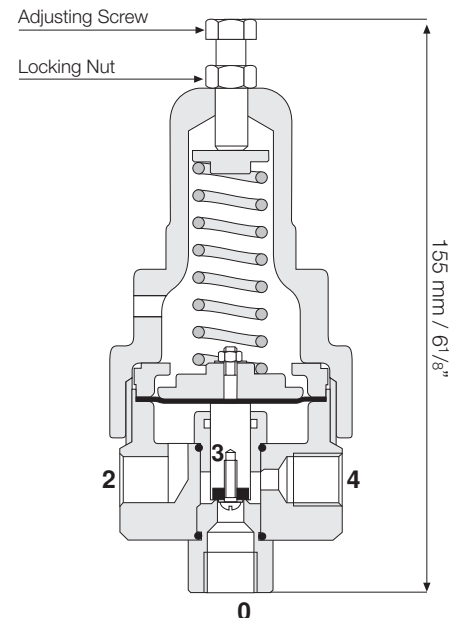
- Pressure Rating:** 16 bar; 232 psi
- Working Temperature:** Water up to 80°C; 180°F
- Flow Factor:** Kv 0.65 m³/h @ 1bar ΔP; Cv 0.75GPM @ 1psi ΔP
- Standard Materials:**
- Body & cover:** Brass
- Elastomers:** NBR
- Internals:** Stainless Steel & Brass
- Spring:** Galvanized Steel.
- Ports:** 1/4" NPT

Adjustment Range

Spring	Pressure		
	bar	psi	
G-Blue	1-12	15-175	Standard
N-Natural	0.8-6.5	11-95	Optional

Connections

- 1 - Upstream or pressure gauge
- 2 - Upstream or pressure gauge
- 3 - Valve control chamber (when 4 is plugged)
- 4 - Valve control chamber (when 3 is plugged)
- 0 - Downstream



Weight: 1.0 Kg; 2.2 lbs.

