

MAGNETIC, LATCH SOLENOID

with Hydraulic Base

Model S-392T-3W

The BERMAD Model S-392T-3W is a compact 3-Way Latching Solenoid pilot valve comprised of two main components: a solenoid and a 3-way hydraulic pilot valve. The BERMAD latching solenoid can control valves independently or in combination with other control circuit accessories. Model S-392T-3W consumes power only when switching positions, using a very short electric pulse. This prolongs life of batteries and enables solar recharging. The hydraulic base features a three position TRIO manual override and includes a bracket for attaching to the valve or to a solenoid manifold.



Features & Benefits

- Advanced Construction Materials, Unique Plastic Casing
 - Proven pressure, voltage and weather resistance
 - Highly durable in corrosive environments
 - Protection Class- IP68; NEMA Type 6D
- Superb Internal Design and Finish
 - Reliable operation under dirt loaded water
- Short Electrical Pulse Latch Activation
 - Extremely low power consumption
 - Low voltage battery operation
 - Saves wires and infrastructures
 - No coil heating
 - Suits most Battery Operated Controllers on the market
 - Applicable in solar activated systems
- Hydraulic Base with Installation Bracket
 - High flow capacity quickens valve response
 - No dirt sedimentation inside solenoid actuator
 - 3 position TRIO manual override (OPEN, AUTO and Close)
 - Simple installation to valve or manifold
- Reliable and Durable Product that Carries the Stamp of BERMAD Quality

Typical Applications

- Systems distanced from control center
- Unavailable power supply locations
- Solenoid controlled on/off valves
- Solenoid controlled pressure and flow control valves
- Multiple valve systems
- Solenoid manifolds in irrigation heads
- Distribution Centers
- Energy Saving Irrigation Systems



Specifications

Base Ports: ¼" NPT

1 - Vent

C - Valve Control Chamber

Actuator Port (Pressure) - ⅛" NPT

Valve Anchoring:

By Screws (Self Tapping #8) at the Solenoid base

Leads: 2 leads x 0.32 mm² x 80 cm

Operation Modes (electrical connections)

+Red & - Black: Solenoid vents

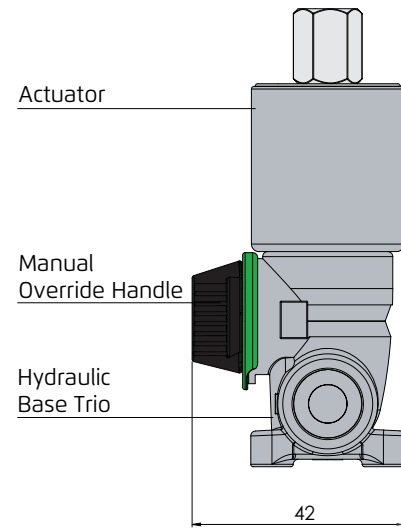
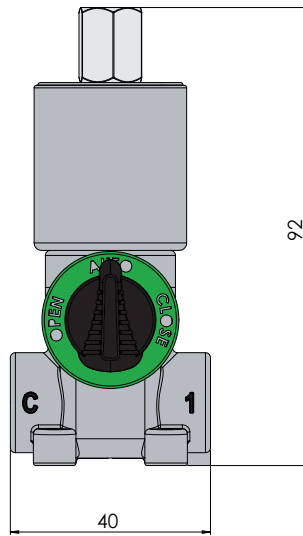
+Black & - Red: Solenoid pressurizes

Operating Pressure Range: 0-10 bar

Base Orifice Diameter: 2.0 mm

Actuator Orifice Diameter: 1.6 mm

Base Flow Factor: Kv = 0.08 m³/h @ 1 bar DP;
Cv = 0.09 GPM @1 psi DP



Materials:

Actuator Casing: Nylon

Seals: NBR

Wetted parts: Stainless Steel

Base: Nylon

Electrical Data:

Voltage Range: 9-20 VDC

Coil Resistance: 6Ω

Coil Inductance: 15/18 mH (off/on)

Pulse Width: 20-100 mSec

Ambient Temp. Max 60°C

Fluid Temp. Max 70°C