



MAGNETIC LATCH SOLENOID ACTUATOR

2-Way, 9VDC Latch, 3-Leads

S-395-2W

The BERMAD Model S-395-2W is a compact 2-Way Latching Solenoid Actuator, specially designed for reliable long life service in irrigation systems controlled by Battery Operated Controllers. The BERMAD latching Solenoid Actuator is applicable directly to the valve cover or with a 2-Way Base that enables combining it in variety of 2-way control circuits. Model S-395-2W consumes power only when switching positions, using a very short electric impulse. This prolongs life of batteries and enables solar recharging.

Features & Benefits

- Advanced Construction Materials, Unique Plastic Casing
 - Proven pressure, voltage and weather resistance
 - Highly durable in corrosive environments
 - Protection Class- IP68; NEMA Type 6D
- Superb Internal Design and Finish
 - Reliable operation under dirt loaded water
- Short Electrical Impulse Latch Activation
 - Extremely low power consumption
 - Low voltage battery operation
 - Saves wires and infrastructures
 - No coil heating
 - Suits most Battery Operated Controllers on the market
 - Applicable in solar activated systems
- Simple Installation, Operation and Maintenance
- Reliable and Durable Product that Bears the Stamp of BERMAD Quality

Applications Guide

- Systems distanced from control center
- Unavailable power supply locations
- Solenoid controlled on/off valves
- Solenoid controlled pressure and flow control valves
- Multiple valve systems





Specifications

Solenoid to Base Connection: $\frac{3}{4}$ " ; 20 UNEF Male Threaded

Base Ports: $\frac{1}{8}$ " NPT

Leads: 3 leads x 0.32 mm² x 80 cm

Operating Pressure Range: 0 - 10 bar

Base Orifice: 1.8 mm

Base Flow Factor: Kv = 0.08 m³/h @ 1 bar Δ P;
Cv = 0.09 GPM @1 psi Δ P

Materials:

Actuator Casing: Nylon

Seals: NBR

Wetted parts: Stainless steel 400 and polyamide

Base: Nylon (Optional: Brass)

Electrical Data:

Voltage Range: 9 - 20 VDC

Coil Resistance: 6 Ω

Coil Inductance: 90 mH

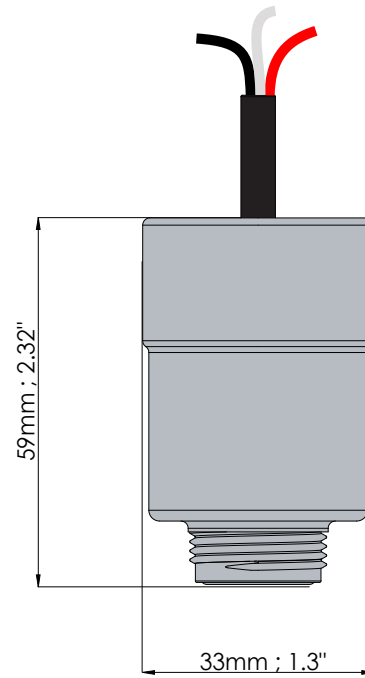
Pulse Width: 20 - 100 mSec.

Required Capacitor: 4700 μ F

Operation Modes (electrical connections):

- + **White:** Fixed Common
- **Red:** Latch Position
- **Black:** Released Position

Note: To ensure compatibility of solenoid with your system, please contact BERMAD's local representative.



Weight: 146 gr ; 0.32 lbs