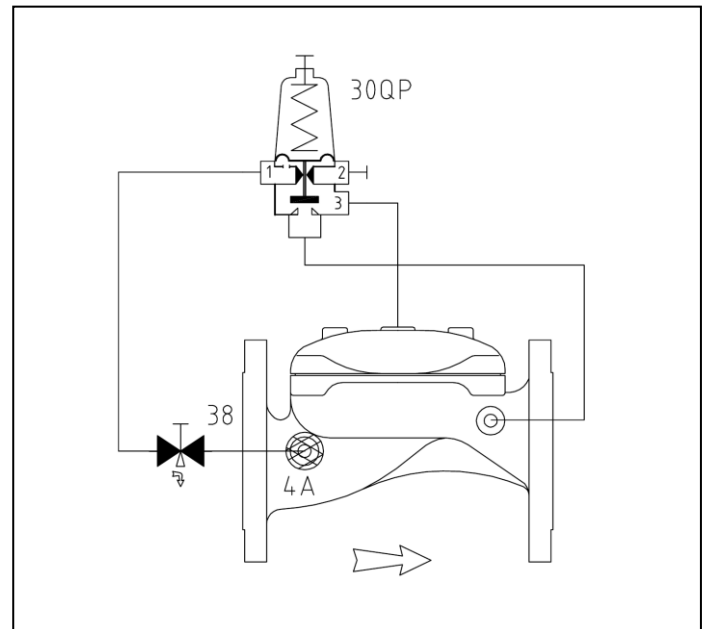


Pressure Relief Valve

(Sizes 1.5" - 4"; DN40-100)

Description:

The BERMAD Model IR-43Q-K Quick Pressure Relief Valve is a hydraulically operated diaphragm actuated control valve that excessive line pressure when it rises above the preset maximum. It responds to a rise in system immediately, accurately and with high repeatability, by Opening fully. The IR-43Q provides smooth drip tight closing.



Installation:

1. Ensure enough space around the valve assembly for future maintenance and adjustments.
2. Prior to valve installation, flush the pipeline to insure flow of clean fluid through the valve.
3. For future maintenance, install Isolation gate valves upstream from Bermad control valve.
4. Install the valve in the pipeline with the valve flow direction arrow in the actual flow direction.
5. For best performance, it is recommended to install the valve horizontally and upright.
6. After installation carefully inspect/correct any damaged accessories, piping, tubing, or fittings.

Commissioning & Calibration:

1. Confirm that the In-line filter [4A] arrow direction is in the valve flow direction.
2. Confirm that manometer cock valve [38] is open (handle parallel to cock-valve body).
3. Open fully the upstream isolating valve.
Note: When upstream pressure is above the 43Q setting, the valve is partially/fully open.
4. Vent air from the valve's control loop by loosening cover tube fitting at the highest point, allowing all air to bleed. Then Retighten the tube fitting.
5. The IR-43Q-K is factory set according to the design. The set pressure is marked on the pilot label, If the set pressure is either different from the design or the requirements have been changed, change settings according to the following:
 - 5.1. Unlock pilot locking nut & slowly turn the adjusting screw Clock-Wise until the valve close & seal.
 - 5.2. Slowly turn the pilot adjusting screw Counter-Clock-Wise until the valve starts leaking, re-tighten the screw until the 43Q seals again plus 1/4 – 1/2 turn and lock the locking nut.

Trouble-Shooting:

Symptoms	Cause	Remedy
Valve fails to open	<ol style="list-style-type: none"> 1. Cock valve (38) is close. 2. Not sufficient inlet pressure. 3. Not sufficient flow 4. Adjusting screws. 	<ol style="list-style-type: none"> 1. Confirm cock valve handle status is parallel to the valve body. 2. Check for sufficient inlet pressure- 3. Create demand/flow, confirm pilot setting- 4. Check that the Pilot adjusting screw is not loose.
Valve fails to close	<ol style="list-style-type: none"> 1. Cock valve (38) is close. 2. Control circuit is clogged. 3. Debris- 4. Diaphragm- 	<ol style="list-style-type: none"> 1. Confirm cock valve handle status is parallel to the valve body. 2. Check for any debris trapped in the valve control circuit. 3. Check for any debris trapped in the valve body. 4. Check diaphragm is not leaking-

Preventive Maintenance:

1. System operating conditions that effect on the valve should be checked periodically to determent the required preventative maintenance schedule.
2. Maintenance instructions:
 - 2.1. Tools required:
 - 2.1.1. Metric and imperial wrenches
 - 2.1.2. Anti-seize grease
 - 2.1.3. Visual inspection to locate leaks and external damages
 - 2.2. Functional inspection including: closing, opening and regulation.
 - 2.3. Close upstream and downstream isolating valves (and external operating pressure when used)
 - 2.4. Once the valve is fully isolated vent pressure by loosening a plug or a fitting.
 - 2.5. Open the screw nuts and remove the cover unit from the valve body. Disassemble necessary control tubs.
 - 2.6. It is highly recommended to stock a reserve parts assembly for each size. This allows minimum system field work. And system down time.
 - 2.7. Disassemble the cover and examine the inside parts carefully for signs of wear, corrosion, or any other abnormal conditions.
 - 2.8. Replace worn parts and all the Elastomers. Lubricate the bolts and screws threads with Anti seize grease.
 - 2.9. Winterizing /freezing prevention: drain the valve & the valve accessories (pilot, solenoid) on time.

Spare Parts

Bermad has a convenient and easy to use ordering guide for valve spare-parts and control system components. For solenoid valves refer to model and S/N on solenoid tags.

Pub # : IOMIR-43Q-K-1.5" 4"	By : YG 7/16	Rev: YG 7/16	File name : IOMIR43Q-K-1.5"-4"- 7/16	PT1AE08-01
-----------------------------	--------------	--------------	--------------------------------------	------------