

Strainer

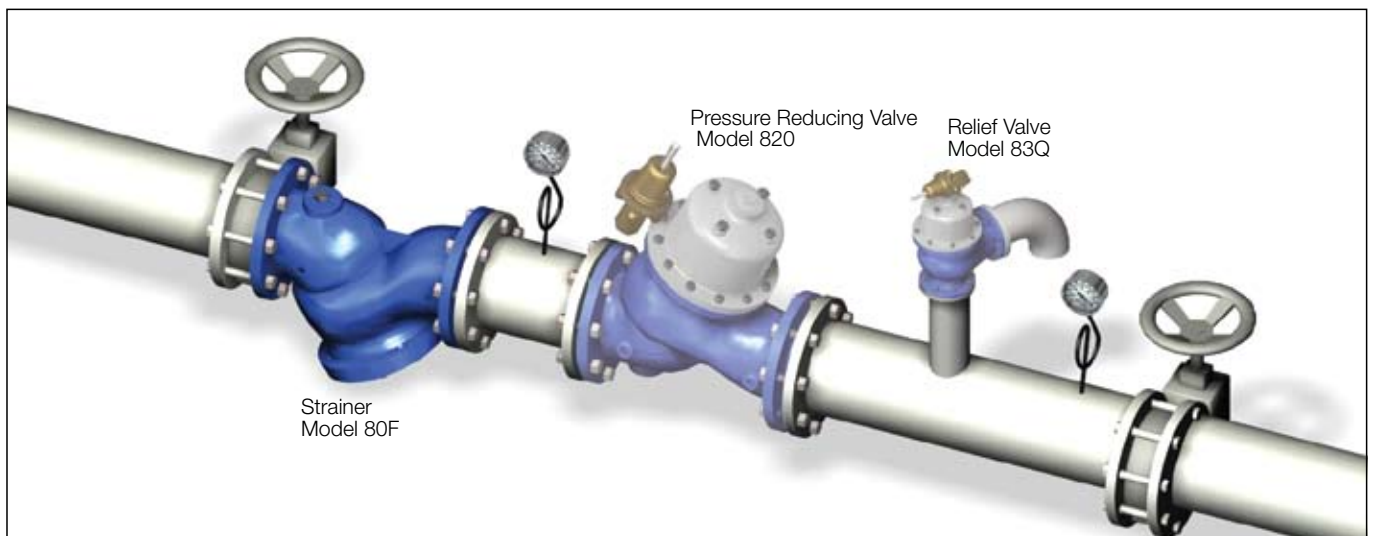
Model 80F

The BERMAD 80F Strainer is designed to remove foreign matter such as stones, sticks etc. from the pipeline. It is recommended to install the Strainer upstream from control valves, flow meters and other system appliances.

- Large trap capacity
- Low pressure loss
- Blow-off port for easy cleaning

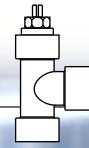


Typical Application



Maintenance Tips

- It is recommended to install a full-bore Ball Valve at the Strainer blow-off port for easy cleaning.
- Should disassembly for maintenance be required; leave the lower cover-screw half-open. This way it can serve as an axis for pivoting the Strainer cover, easing maintenance.

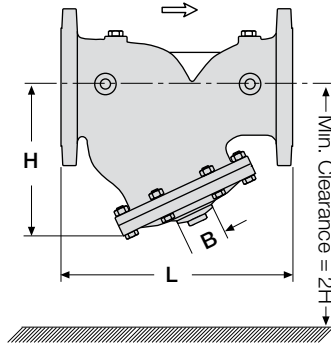


Technical Data

Dimensions and Weights

Size		L		H		W		B
mm	inch	mm	inch	mm	inch	kg	lbs	mm
40	1 1/2"	205	8.1	125	4.9	7.8	17.2	3/4"
50	2"	210	8.3	125	4.9	10	22.0	
65	2 1/2"	222	8.7	125	4.9	12.8	28.2	1 1/2"
80	3"	264	10.4	170	6.7	20	44	
100	4"	335	13.2	210	8.3	34	75	2"
150	6"	433	17.0	270	10.6	58	128	
200	8"	524	20.6	330	13.0	95	210	
250	10"	637	25.1	420	16.5	153	337	
300	12"	762	30.0	480	18.9	266	586	
350	14"	767	30.2	480	18.9	288	635	3"
400	16"	1024	40.3	620	24.4	590	1300	
450	18"	1030	40.5	620	24.4	735	1620	
500	20"	1136	44.7	620	24.4	835	1840	

B - Blow-off port



Basket Hole Diameter (mm)

Stainless Steel 304 (Standard)

2"	3-4"	6-20"
1.5	3.0	5.0

Stainless Steel 316 (Optional)

2-6"	8-20"
2.0	3.0

Specifications

Patterns: "Y" (globe) & angle

Size Range: 1 1/2" - 20" (40-500 mm)

End Connections (Pressure Ratings):

Flanged: ISO PN40 ; ANSI Class 300, 400

Threaded: BSP or NPT

Others: Available on request

Working Temperature: Water up to 80°C (180°F)

Standard Materials:

Body: Cast Steel

Cover: Steel

Screen / Basket: Stainless Steel 304

Seals: NBR

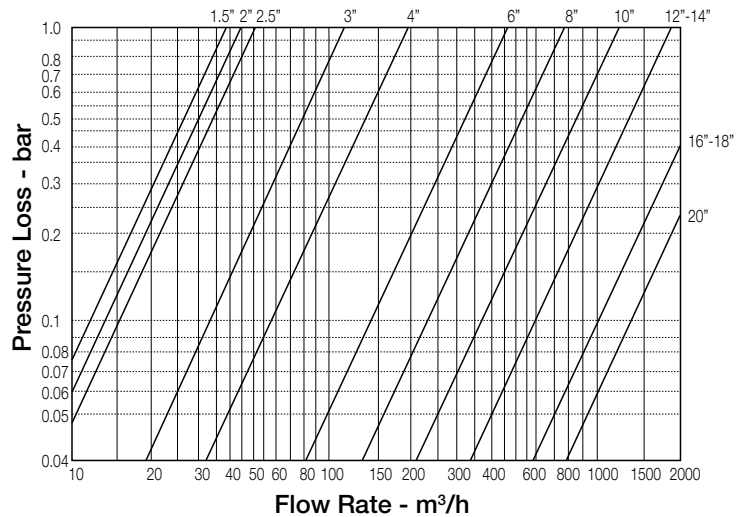
Coating:

Fusion Bonded Epoxy, RAL 5005 (Blue)

NSF & WRAS approved or Electrostatic Polyester

Powder, RAL 6017 (Green)

Flow Chart



How to Order

Sector	Size	Primary Feature	Pattern	Body Material	End Connections	Coating	Additional Attributes
WW	6"	80F	Y	S	40	EB	mN
Waterworks	1 1/2" - 20"	Strainer	Oblique (up to 20") Y Angle (up to 18") A	Cast Steel St. Steel 316	S N	Polyester Green Polyester Blue Epoxy FB Blue Uncoated	St. Steel 316 bolts & nuts St. Steel 316 screen m N

