

## 2-Way Ball Valve

This Ball Valve provides quick and easy on/off manual control for isolating, manual releases and drains.

### Technical Data

**Pressure rating:**

40 bar (600 psi) - 1/4" to 3/4"

35 bar (500 psi) - 1" to 2"

**Standard materials:**

**Body:** Brass

**Ball:** Brass (Nickel & Chrome plated)

**Seals:** PTFE & FPM

**Handle:** Galvanized Steel (vinyl grip)

**Optional materials:**

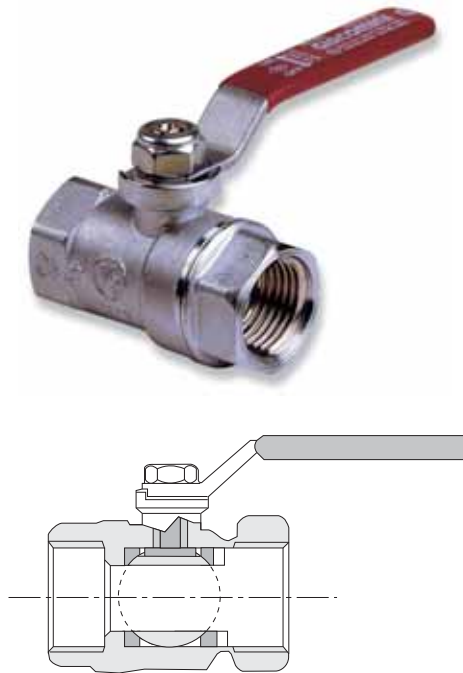
Stainless Steel metal parts

**Ports:**

1/4", 3/8" & 1/2" NPT

3/4", 1", 1 1/2" & 2" BSP

**Maximum temperature:** 185°C (365°F)



## 3-Way Ball Valve

This 3-Way valve is used as a pilot valve providing quick and easy, 2-position on/off manual control.

### Technical Data

**Pressure rating:** 27.5 bar (400 psi)

**Standard materials:**

**Body:** Brass

**Ball:** Brass (Chrome plated)

**Seals:** PTFE & FPM

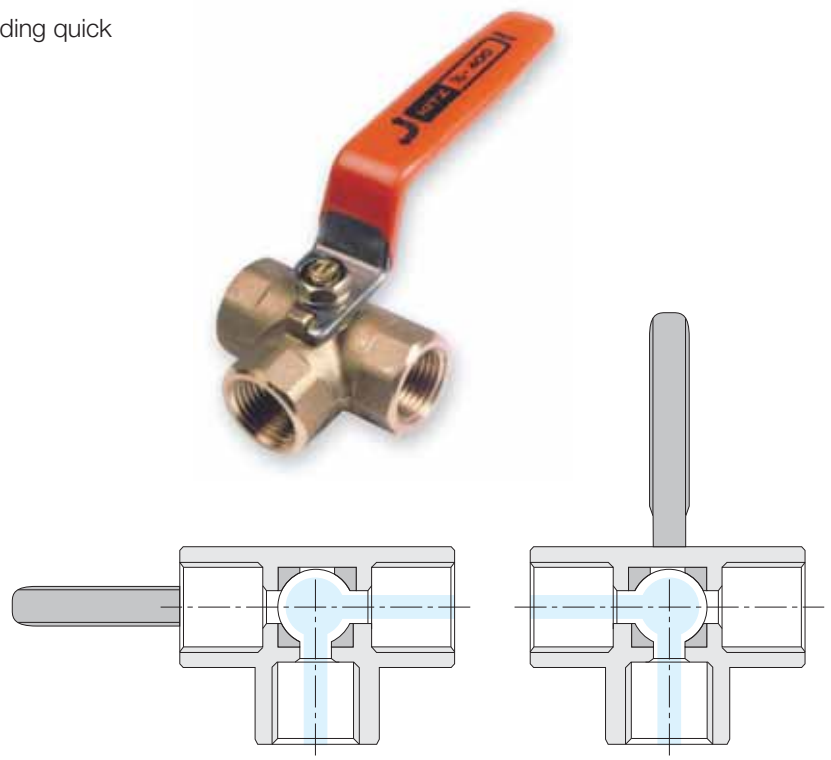
**Handle:** Stainless Steel (vinyl grip)

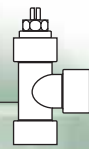
**Optional materials:**

Stainless Steel metal parts

**Ports:** 1/4", 3/8" & 1/2" NPT

**Maximum temperature:** 150°C (300°F)





## Manometer Ball Valve

This vented 2-Way Ball Valve provides quick and easy manual isolating and venting of either pressure gauges or any other pressurized control loop components.

### Technical Data

**Pressure rating:** 16 bar (230 psi)

**Standard materials:**

**Body:** Brass (Nickel plated)

**Ball:** Brass (Nickel & Chrome plated)

**Seals:** PTFE & NBR

**Handle:** Reinforced nylon

**Ports:** 1/8", 1/4" & 3/8" NPT

**Maximum temperature:** 80°C (180°F)

