

MONITOR MB3

Monitor in Bronze or corrosion proof light alloy

Mod. MB3 L - Manual control with lever

Standard characteristics

Body Size: ~ Ø 95mm (casting)

Maximum Body Flow Rate: Max. 4500l/m

Pressure Loss: See diagram P Vs Flow rate

Flow rate: On customer Request link to compatible nozzles or branchpipes

Flow rate recommended: See diagram Pressure Loss Vs Flow Rate

Recommended maximum pressure loss: 1,2 barg

Rotation with lever: 360° continuous

Elevation and deflection with lever: ~ +90° - 70°

Horizontal throw: See dedicated page on compatible nozzles or branchpipes

Test Pressure: 27 barg - **Custom. req.** Up to 48 barg

Base Flange: Carbon Steel

Outlet Flange: External diameter Ø160 mm

Coating: Epoxy Primer + Polyuretanic red coat RAL3000, Total DFT >120 µm

Weight: Bronze: ~24Kg - Light alloy: ~10Kg

Approvals



MARINE DIVISION

BUREAU
VERITAS



Optional

- > Pressure gauge on outlet
- > Drain Valve
- > Nozzle for thermal irradiation protection
- > Elevation lever with compass system

Compatible Nozzles Or Branchpipes

- > Foam and self inducing foam branchpipes mod. LS and LSA
- > Water branchpipe mod. LA
- > Jet spray nozzles mod. Mini GN - GN - Super G
- > Jet spray self inducing nozzles mod. GNA & Super GNA

Available on Demand

- > Base Flange: Other material
- > Outlet Flange: Other outlet connection with adaptor (NH, Ghost, Storz)
- > Coating: Other painting cycles

Key configuration

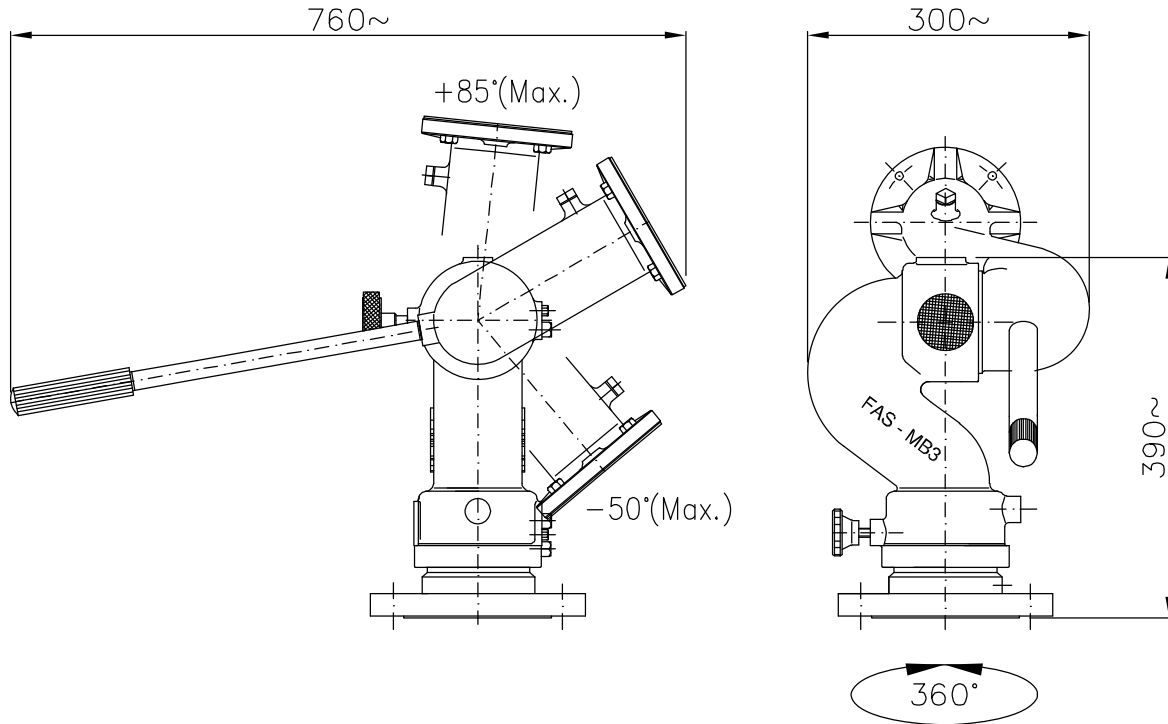
- > Application for manual control with double handwheel
- > Application for self-oscillating
- > Application for oil - hydraulic handling

www.fasspa.net

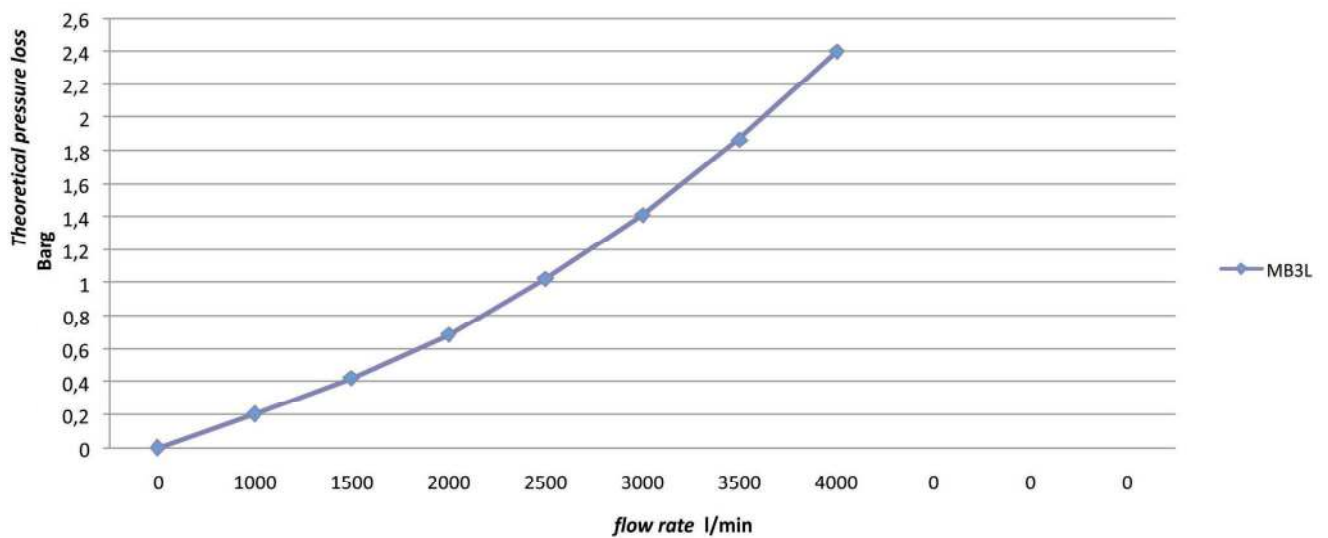
MONITOR MB3

Monitor in Bronze or corrosion proof light alloy

Layout & Overall Dimension - MB3 L Monitor



Pressure Loss P Vs Flow rate



www.fasspa.net

MONITOR MB3 KEY CONFIGURATION

Mod. MB3 2V - Application for manual control with double handwheel

Standard characteristics

Body Size: ~ Ø 95mm (casting)

Rotation with handwheel: 360° continuous

Elevation and deflection with handwheel: ~ +90° - 70°

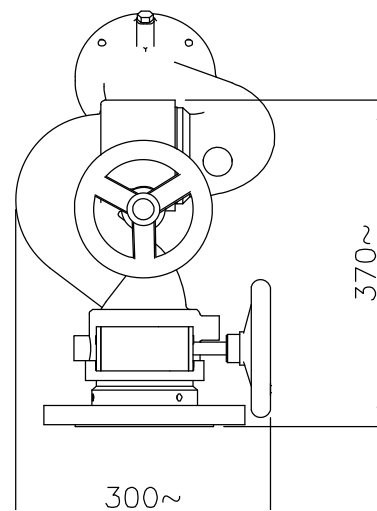
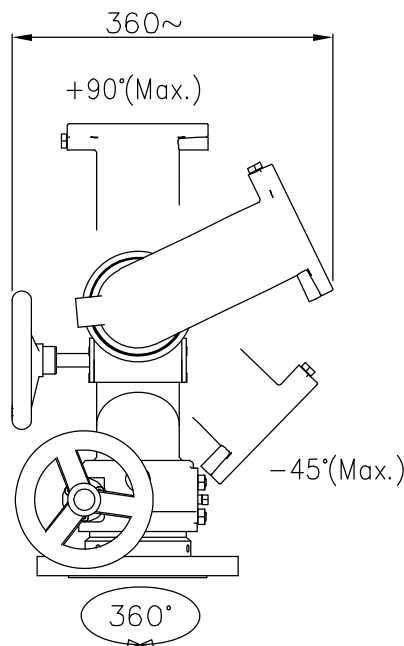
Weight: Bronze: ~30Kg - Light alloy: ~16Kg



MARINE DIVISION

BUREAU
VERITAS

Layout & Overall Dimension - MB3 2V Monitor with double handwheel



www.fasspa.net

MONITOR MB3 KEY CONFIGURATION

Mod. MBA3 L - Application for self oscillating

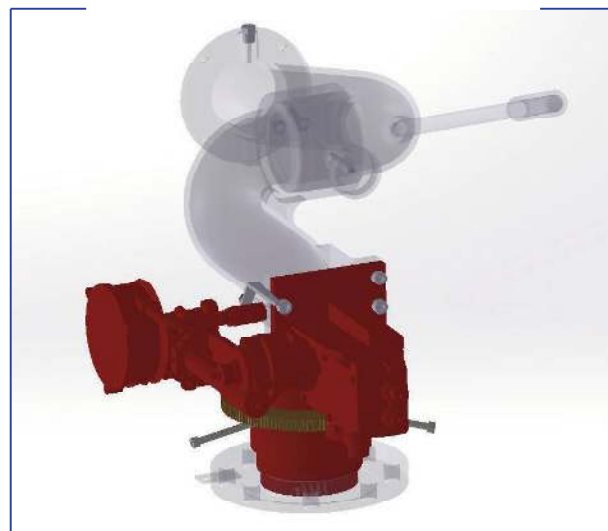
Standard characteristics

Body Size: ~ Ø 95mm (casting)

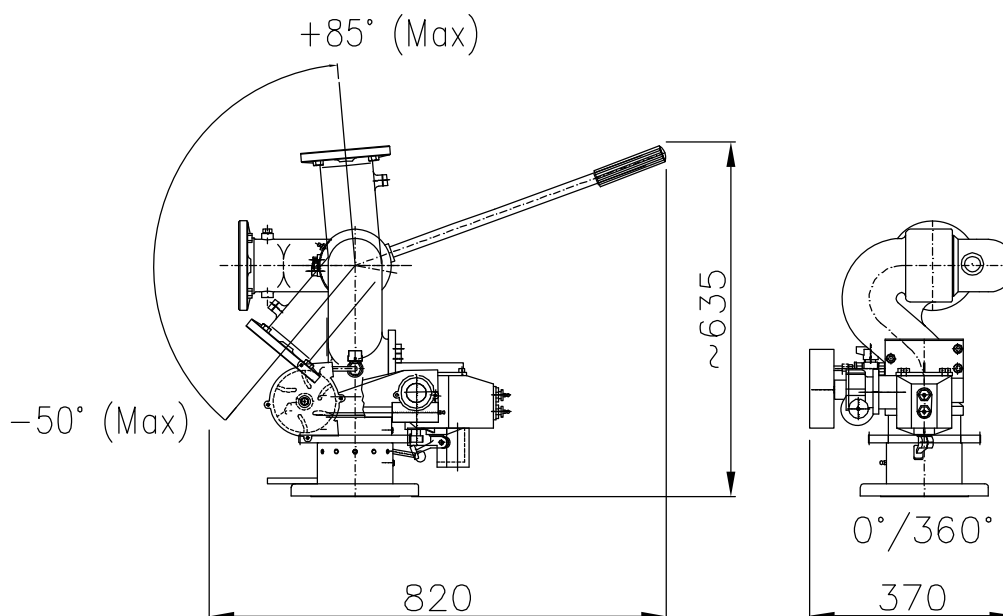
Automatic oscillation with Hydraulic Motor: 360° continuous, by 30° step

Elevation and deflection with lever: ~ +90° - 70°

Weight: Bronze: ~51Kg - Light alloy: ~31Kg



Layout & Overall Dimension - MBA3 L Monitor self oscillating



www.fasspa.net

MONITOR MB3 KEY CONFIGURATION

Mod. MBO3 - Application with oil-hydraulic handling

Standard characteristics

Body Size: ~ Ø 95mm (casting)

Rotation with Oil Hydraulic Motor: 360° continuous

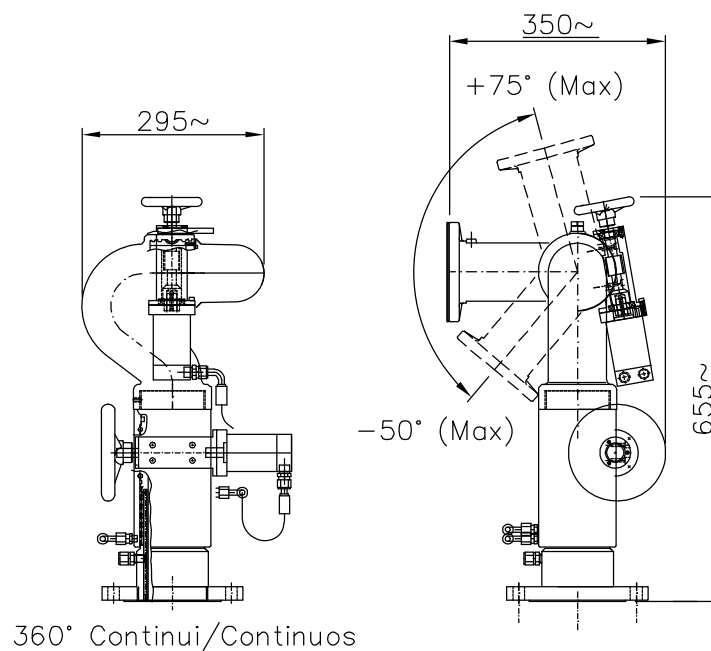
Elevation and Deflection with Oil Hydraulic Motor: ~ +90° - 70°

Weight: for Ø 95mm - Bronze: ~37Kg - Light alloy: ~23Kg

Usable with electric-oil hydraulic mini power pack device
(see dedicated page)



Layout & Overall Dimension - MBO3 Monitor with oil-hydraulic handling



www.fasspa.net

MONITOR MB4

Monitor in Bronze or corrosion proof light alloy

Standard characteristics

Body Size: Ø125 mm (casting)

Maximum Body Flow Rate: Max. 8600l/m

Pressure Loss: See diagram P Vs Flow rate

Flow rate: On customer Request link to compatible nozzles or branchpipes

Flow rate recommended: See diagram Pressure Loss Vs Flow Rate

Recommended maximum pressure loss: 1,2 barg

Rotation with lever: 360° continuous

Elevation and deflection with lever: ~ +90° - 70°

Horizontal throw: See dedicated page on compatible nozzles or branchpipes

Test Pressure: 27 barg - **Custom. req.** Up to 48 barg

Base Flange: Carbon Steel

Outlet Flange: External diameter Ø160 mm

Coating: Epoxy Primer + Polyuretanic red coat RAL3000, Total DFT >120 µm

Weight: Bronze: ~40Kg - Light alloy: ~20Kg

Optional

- > Pressure gauge on outlet
- > Drain Valve
- > Nozzle for thermal irradiation protection
- > Elevation lever with compass system

Compatible Nozzles Or Branchpipes

- > Foam and self inducing foam branchpipes mod. LS and LSA
- > Water branchpipe mod. LA
- > Jet spray nozzles mod. Mini GN - GN - Super G
- > Jet spray self inducing nozzles mod. GNA & Super GNA

Approvals



MARINE DIVISION



Available on Demand

- > Base Flange: Other material
- > Outlet Flange: Other outlet connection with adaptor (NH, Ghost, Storz)
- > Coating: Other painting cycles

Key configuration

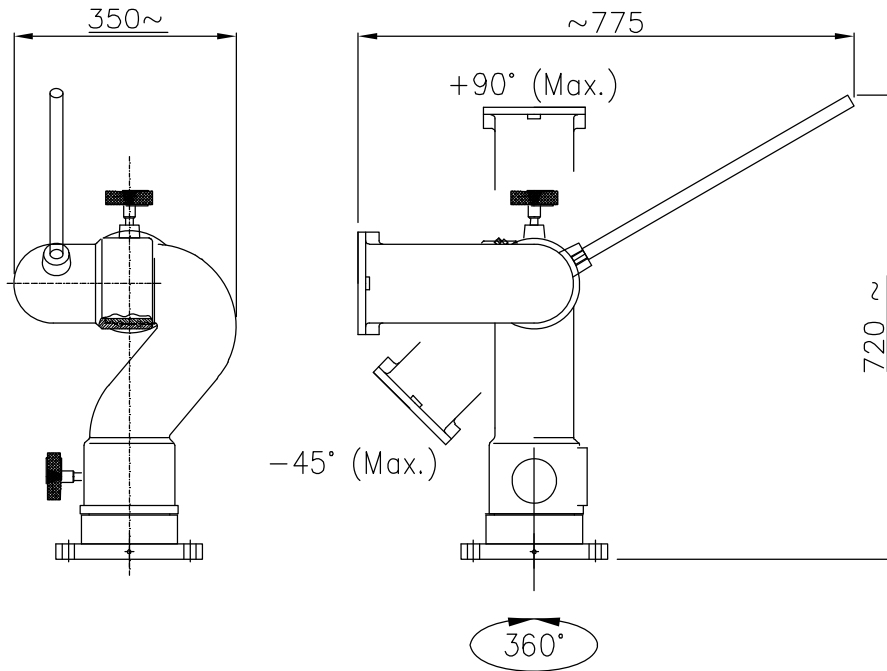
- > Application for self-oscillating

www.fasspa.net

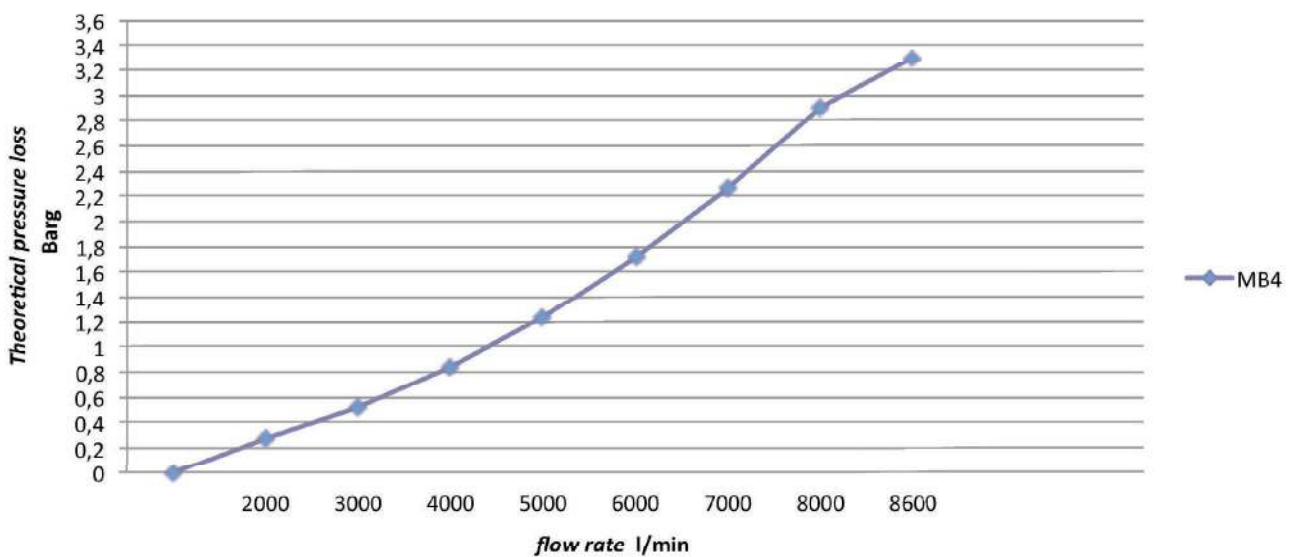
MONITOR MB4

Monitor in Bronze or corrosion proof light alloy

Layout & Overall Dimension - MB4 Monitor



Pressure Loss P Vs Flow rate



www.fasspa.net

MONITOR MB4 KEY CONFIGURATION

Mod. MBA4 L - Application for self oscillating

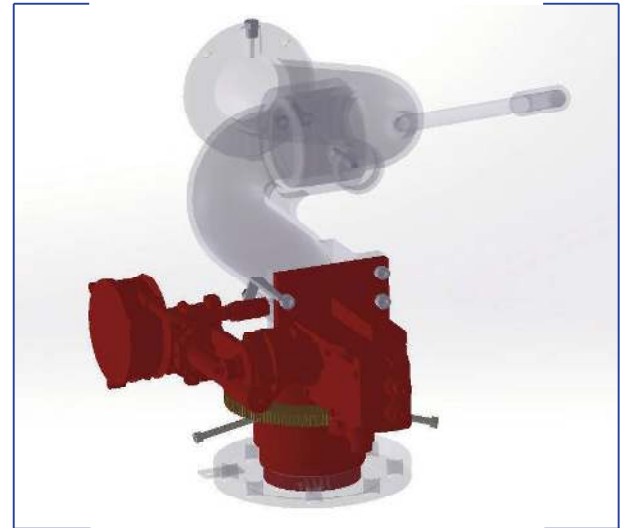
Standard characteristics

Body Size: ~ Ø 125mm (casting)

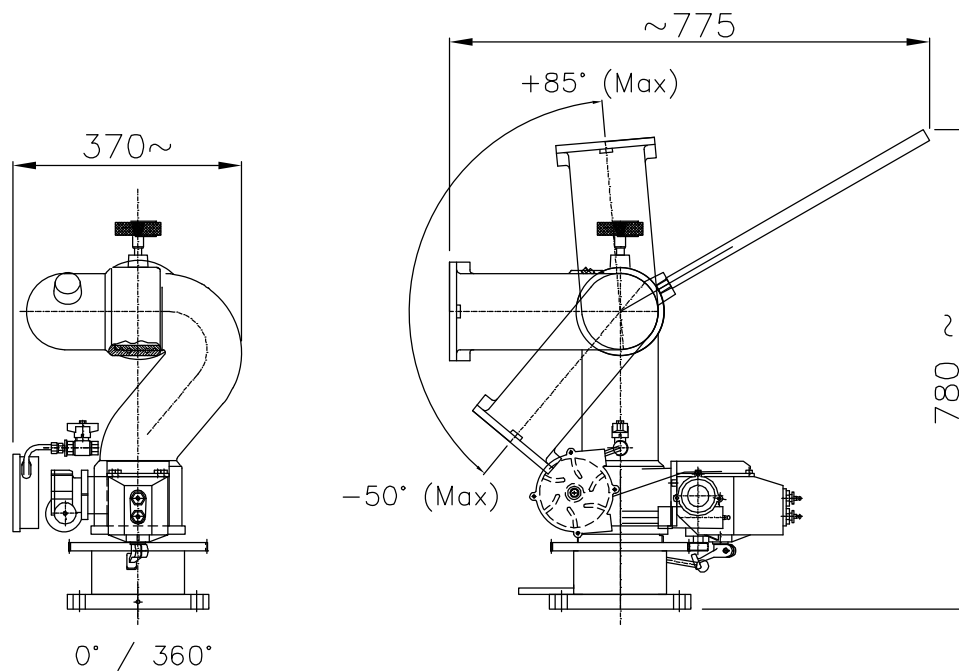
Automatic oscillation with Hydraulic Motor: 360° continuous, by 30° step

Elevation and deflection with lever: ~ +90° - 70°

Weight: Bronze: ~81Kg - Light alloy: ~51Kg



Layout & Overall Dimension - MBA4 L Monitor self oscillating



www.fasspa.net

MONITOR DOC

Monitor in Bronze or corrosion proof light alloy

Mod. 2V - Manual control with double handwheel

Standard characteristics

Body Size: ~ 125 mm (casting)

Maximum Body Flow Rate: Max. 8600l/m

Pressure Loss: See diagram P Vs Flow rate

Flow rate: On customer Request link to compatible nozzles or branchpipes

Flow rate recommended: See diagram Pressure Loss Vs Flow rate.

Recommended maximum pressure loss: 1,2 barg

Rotation with handwheel: 360° continuous

Elevation and deflection with handwheel: ~ +90° - 70°

Horizontal throw: See dedicated page on compatible nozzles or branchpipes

Test Pressure: 27 barg - **Custom. req.** Up to 48 barg

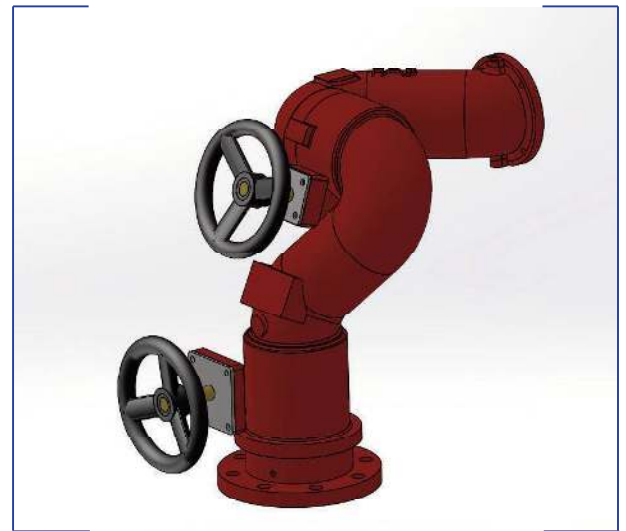
Base Flange: Carbon Steel

Outlet Flange: External diameter Ø160 mm

Coating: Epoxy Primer + Polyuretanic red coat RAL3000, Total DFT >120 µm

Weight: Bronze: ~55Kg - Light alloy: ~32Kg

Approvals



Optional

- > Pressure gauge on outlet
- > Drain Valve
- > Nozzle for thermal irradiation protection

Compatible Nozzles Or Branchpipes

- > Foam and self inducing foam branchpipes mod. LS and LSA
- > Water branchpipe mod. LA
- > Jet spray nozzles mod. Mini GN - GN - Super G
- > Jet spray self inducing nozzles mod. GNA & Super GNA

Available on Demand

- > Base Flange: Other material
- > Outlet Flange: Other outlet connection with adaptor (NH, Ghost, Storz)
- > Coating: Other painting cycles

Key configuration

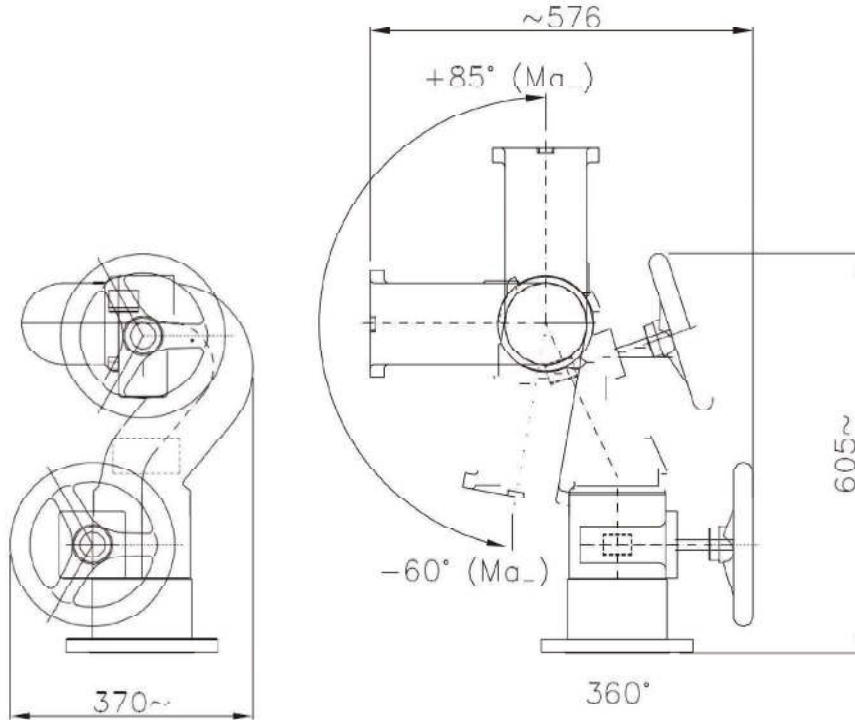
- > Application for electrical handling
- > Application for oil-hydraulic handling
- > Application for self-oscillating

www.fasspa.net

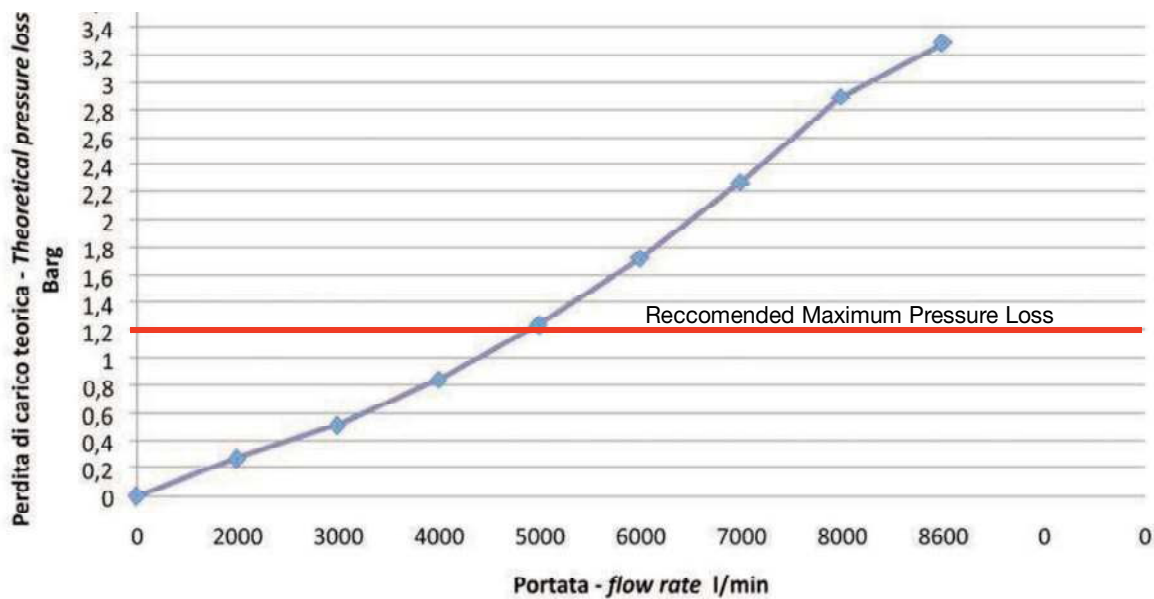
MONITOR DOC

Monitor in Bronze or corrosion proof light alloy

Mod. 2V - Manual control with double handwheel



Pressure Loss P Vs Flow rate



www.fasspa.net

MONITOR DOC KEY CONFIGURATION

Mod. DOC-E - Application for electrical handling

Characteristics

Rotation with electric motor: From 0° to ± 175° (350° total)

Elevation and deflection with electric motor: ~ +90° - 70°

Weight: Bronze ~100Kg - Light alloy ~82Kg

Electric Motor: Actuator with Limit switch / torque switch integrated

IP Protection: IP 66/67

Custom. req. ATEX Version - IP68

Nema Protection equivalent (4 or 6P)

Operational Temp. (for IP): -25°C + 60°C

Operational Temp. (for ATEX): -20°C + 40°C

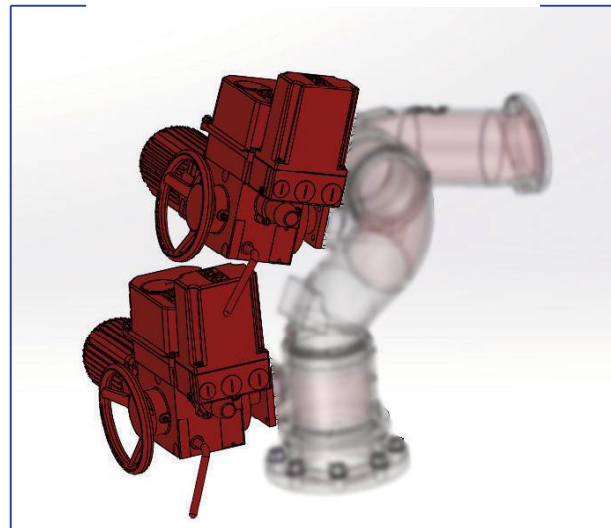
Custom. req. Available other Operational Temp.
(min: -50°C - Max. + 60°C)

Feeding Voltage: 400V AC 50/60Hz. 3ph.

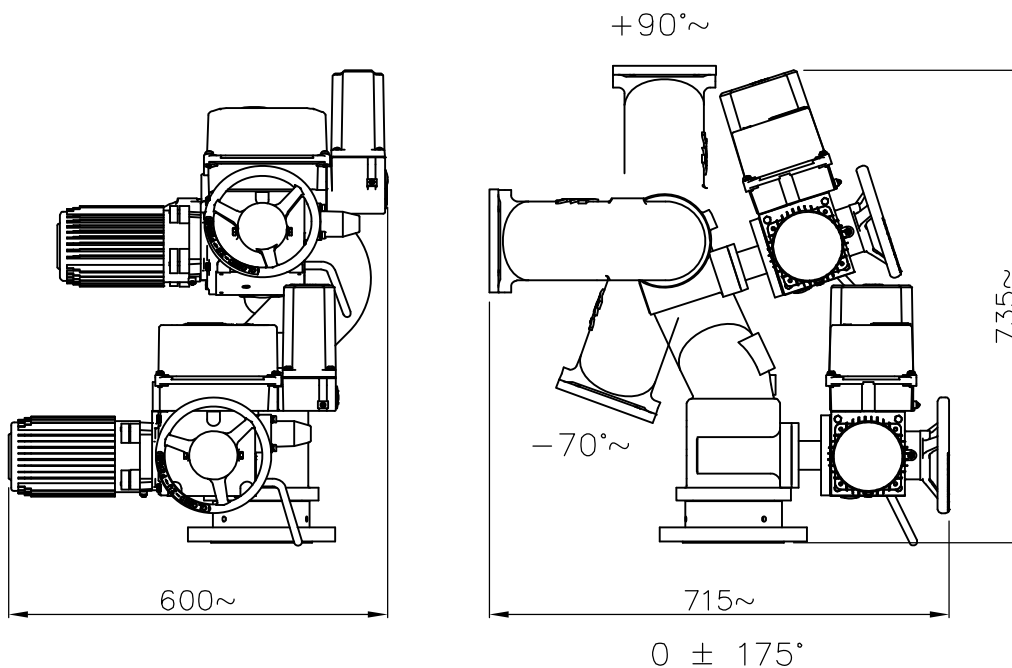
Custom. req. Other Feeding Voltage

Custom. req. Safety Integrity Level SIL 2 Certification

Custom. req. UL Approval



Layout & Overall Dimension - DOC Monitor with electrical handling



www.fasspa.net

MONITOR DOC KEY CONFIGURATION

Mod. DOC-O - Application for oil-hydraulic handling

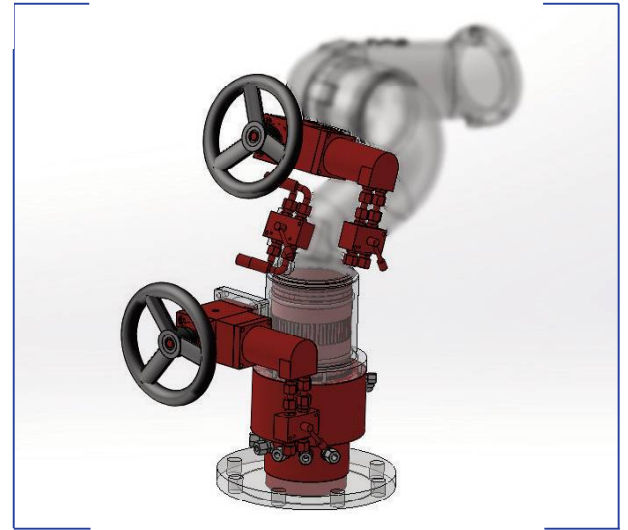
Characteristics

Rotation with oil hydraulic motor: 360° continuous
(both direction)

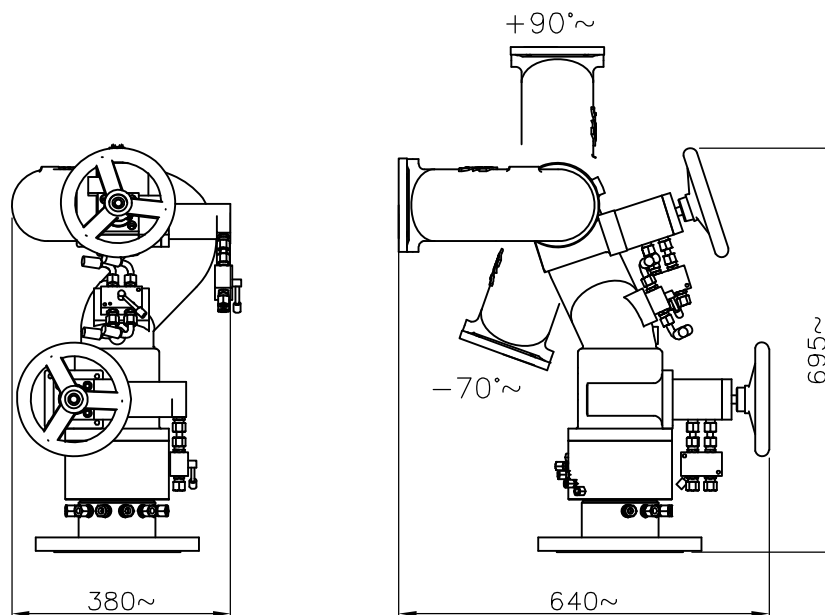
Elevation and deflection with oil hydraulic motor: ~ +90° - 70°

Weight: Bronze ~70Kg - Light alloy ~47Kg

Usable with electric-oil hydraulic mini power pack device
(see dedicated page)



Layout & Overall Dimension - DOC Monitor with oil-hydraulic handling



360° CONTINUOUS BOTH DIRECTION

www.fasspa.net

MONITOR DOC KEY CONFIGURATION

Mod. DOC-A - Application for self oscillating

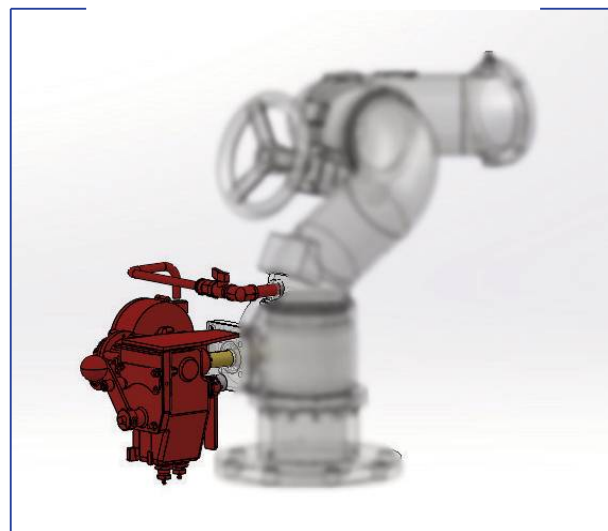
Characteristics

Automatic oscillation with Hydraulic Motor with lever for neutral position for manual with handwheel:

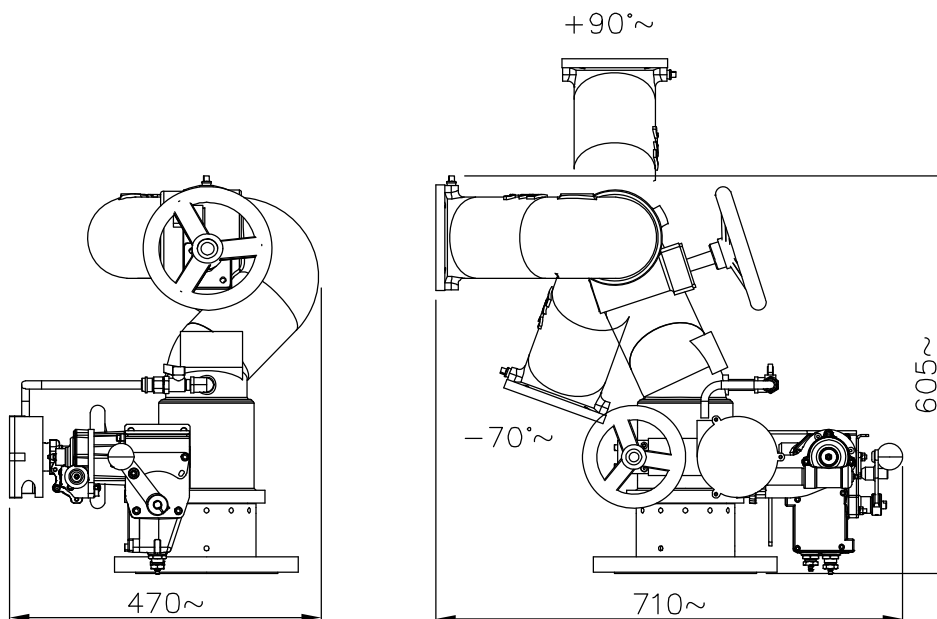
360° continuous, by 30° step

Elevation and deflection with handwheel: ~ +90° - 70°

Weight: Bronze ~63Kg - Light alloy ~40Kg



Layout & Overall Dimension - DOC Monitor self oscillating



360° CONTINUOUS BOTH DIRECTION
STEP 30°

www.fasspa.net