

## Hydraulic Relay Valve (HRV)

This 2-way, single-chamber, hydraulic relay valve, is a hydraulically-operated, diaphragm-actuated, control valve that either opens fully or shuts-off in response to pressure applied to its control chamber.

### Technical Data

**Pressure rating:** 25 bar (350 psi)

**Working temperature:** Water up to 80°C (180°F)

**Flow factor:** Kv 1.3 (Cv 1.5)

**Standard materials:**

**Body & cover:** Brass

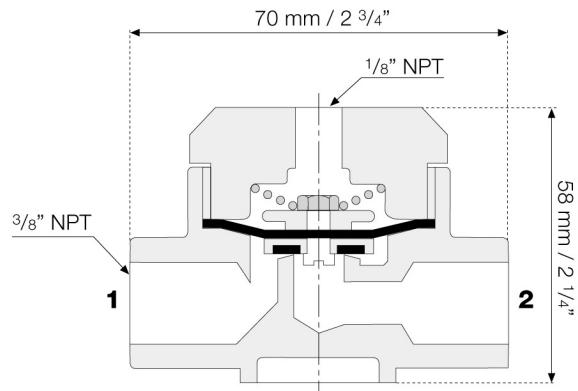
**Elastomers:** NBR

**Internals:** Stainless steel & brass

**Optional materials:**

**Metal parts:** Stainless steel, Nickel aluminum bronze, Hastalloy

**Elastomers:** FPM (Viton®)



Weight: 0.6 Kg / 1.3 lbs.