

Direct Acting Pressure Reducer

with Manual Closure

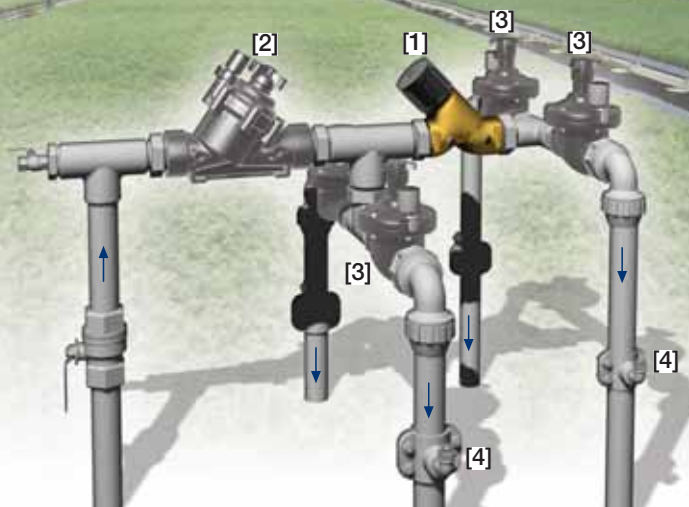
2"- PRV

The BERMAD Direct Acting Pressure Reducer is actuated by a pressure responsive piston, which seeks to reach equilibrium between hydraulic and set spring force. The BERMAD Model 2"-PRV brass body and reinforced plastic actuator assembly endow it with excellent hydraulic performance capabilities and particularly high mechanical strength. Supplied with a special throttling plug, it reduces higher upstream pressure to lower constant downstream pressure even under conditions of near zero demand, and seals drip-tight under no-flow conditions.



Features and Benefits

- Metal Body and Advanced Construction Materials
 - Suitable for metal piping installations
 - Rigid construction, high stress resistance
 - Proven pressure, flow and weather resistance
- Direct Acting Pressure Reducer with Manual Closure
 - Protects downstream
 - Immediate response
 - Enables local manual closing
- Throttling Plug with Nitril Seal Disk
 - Accurate and stable low-flow regulation
 - Drip-tight sealing under no-flow conditions
- Piston and Guided Plug Actuated
 - Accurate and repeatable operation
- User-Friendly Design
 - Can be installed at any orientation
 - Simple in-line inspection and service



Typical Applications

- Primary PRV for High P Pressure Reducing Systems
- Pressure Zoning in Topographic Areas
- Secondary Protection of Sensitive Lines
- Pressure Reduction for Marginal Plots

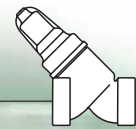
[1] BERMAD Model 2"-PRV establishes a reduced pressure zone for lower elevation plots, protecting laterals and distribution line.

[2] BERMAD Solenoid Controlled Valve Model IR-110-N1

[3] BERMAD Solenoid Controlled Valve Model IR-210-N-M

[4] BERMAD Vacuum Breaker Model 1/2"-ARV

BERMAD Irrigation



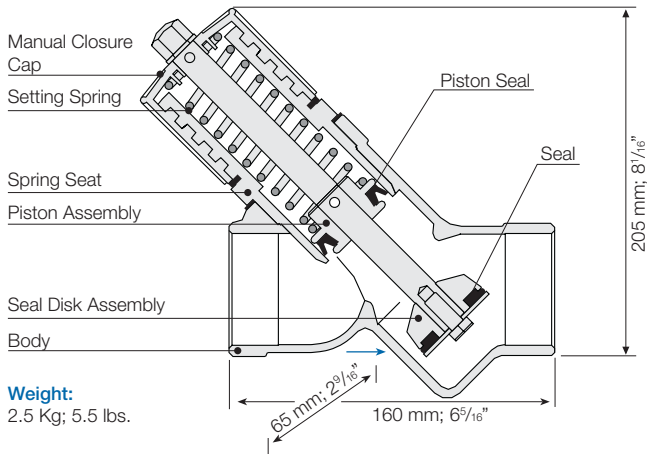
2" - PRV

For full technical details, refer to Engineering Section.

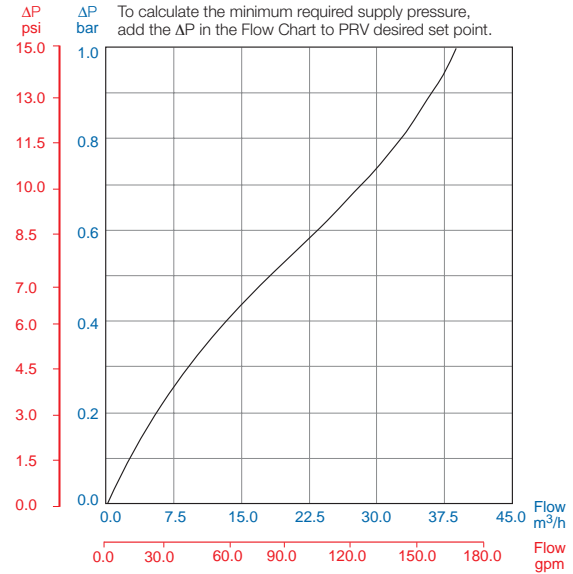
PRV Series

Pressure Reducing

Technical Specifications



Flow Chart required supply pressure above setting



Technical Data

Size: 2"; DN50

End Connections: Female Threads BSP; NPT

Flow Range: 4-25 m³/h; 18-110 gpm

Pressure Ratings: 8 bar; 115 psi

Operating Pressure Range: 2-8 bar; 30-115 psi

Temperature: Water up to 50°C; 122°F

Materials:

Body: Brass

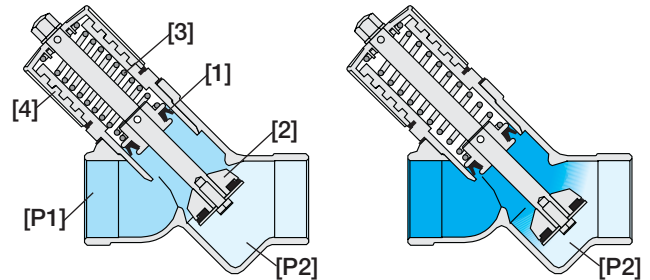
Manual Closure Cup and Spring Seat: Polyacetal

Internals: Stainless Steel and Nitril

Piston Seal: NBR (Buna-N), Nylon fabric reinforced

Spring: Stainless Steel

Operation



The Upstream Pressure [P1] applies balanced opening and closing hydraulic forces under the Piston [1] and above the Plug [2]. Downstream Pressure [P2] applies hydraulic closing force under the plug, which seeks to reach equilibrium with the Set Spring [3] force. Should [P2] rise above setting, the hydraulic closing forces rise above the mechanical force of the spring, pushing the plug to modulate closed, reducing [P2] back to setting, and eventually shutting drip-tight. The Manual Closure Cap [4] features local manual closing by turning counter-clockwise. The manual closure cap position does not effect the PRV setting, which is determined only by the chosen set spring.

Setting Springs Selection Table

Spring Color	Downstream Pressure bar; psi		
	Nominal	Minimum	Maximum
Red	2.0; 29	2.0; 29	2.6; 38
Yellow	4.0; 58	3.8; 55	4.6; 67
Green	6.0; 87	5.8; 84	6.6; 96

How to Order

For Ordering Please Specify:

- Adjustable Direct Acting Pressure Reducer 2", Female BSP Threads BERMAD Model: 2"-PRV-P-BP-FF-____*
- Adjustable Direct Acting Pressure Reducer 2", Female NPT Threads BERMAD Model: 2"-PRV-P-NP-FF-____*

* Choose the desired spring and mark Red, Yellow or Green according to "Setting Springs Selection Table"



info@bermad.com • www.bermad.com

The information herein is subject to change without notice. BERMAD shall not be held liable for any errors. All rights reserved. © Copyright by BERMAD.

PCPAE02 05