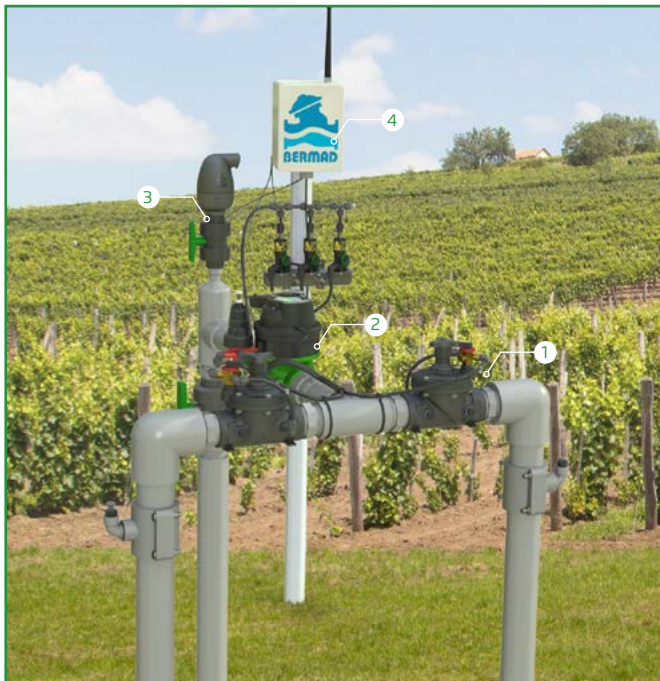


# HYDRAULIC CONTROL VALVE

## Model IR-205-Z

The BERMAD Hydraulic Control Valve is a hydraulically operated, diaphragm actuated control valve that opens and shuts in response to a local or remote pressure command.



- [1] BERMAD Model IR-205-Z open upon local manual command.
- [2] BERMAD Pressure Reducing Hydrometer Model IR-920-MO-KXZ
- [3] BERMAD Combination Air Valve Model IR-C10
- [4] RTU

### Features & Benefits

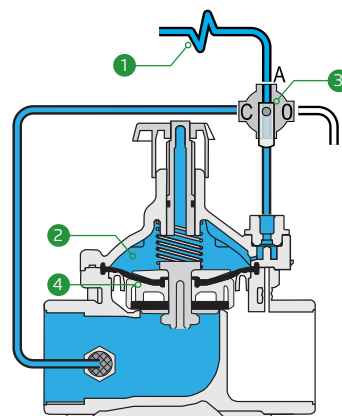
- Line Pressure Driven, Hydraulically Controlled
  - Hydraulically controlled On/Off
- Plastic Globe Hydro-Efficient Valve
  - Unobstructed flow path
  - Single moving part
  - High flow capacity
  - Highly durable, chemical and cavitation resistant
- Unitized Flexible Diaphragm and Guided Plug
  - Excellent low flow regulation performance
  - Prevents diaphragm erosion and distortion
- Fully Supported & Balanced Diaphragm
  - Requires low actuation pressure
- User-Friendly Design
  - Simple in-line inspection and service

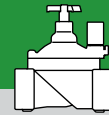
### Typical Applications

- Computerized Irrigation Systems
- Distribution Centers
- Systems Subject to Varying Supply Pressure
- Landscape

### Operation:

Hydraulic Command ① is applied to the Control Chamber ② through the Manual Selector ③. This creates superior closing force that moves the Diaphragm Assembly ④ to a closed position. Discharging of pressure from the control chamber, by turning the manual selector, causes the line pressure acting on the lower side of the diaphragm assembly to move the valve to an open position.





**IR-205-Z**

**Technical Data**

**Pressure Rating:**  
10 bar; 145 psi  
**Operating Pressure Range:**  
0.5-10 bar; 7-145 psi

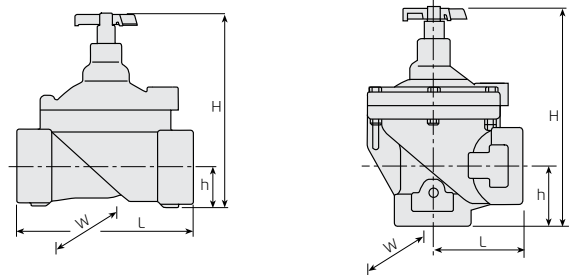
**Materials:**  
**Body, Cover and Plug:**  
Polyamid 6 & 30% GF  
**Diaphragm:** NBR  
**Seals:** NBR  
**Spring:** Stainless Steel  
**Cover Bolts:** Stainless Steel

**Control Accessories:**  
**Tubing and Fittings:**  
Plastic

**Technical Specifications**

**Dimensions & Weights**

For more details of [BERMAD 200 series](#)  
Please see our full engineering page.



Sizes Inch ; DN	¾" ; 20	1" ; 25	1½" ; 40		2" ; 50	
Pattern	Globe	Globe	Globe	Angle	Globe	Angle
L (mm)	110	110	160	80	170	85
H (mm)	115	115	180	190	190	210
W (mm)	78	78	125	125	125	125
h (mm)	22	22	35	40	38	60
Weight (kg)	0.35	0.33	1	0.95	1.1	0.91

**Flow Properties**

Sizes	Inch DN	1½" 40	1½" 40	2" 50	2" 50
Pattern		G	A	G	A
KV		37	41	47	52

**Valve Flow Coefficient**

$$\Delta P = \left( \frac{Q}{Kv} \right)^2$$

Kv = m<sup>3</sup>/h @ ΔP of 1 bar  
Q = m<sup>3</sup>/h  
ΔP = bar

**Flow Chart**

