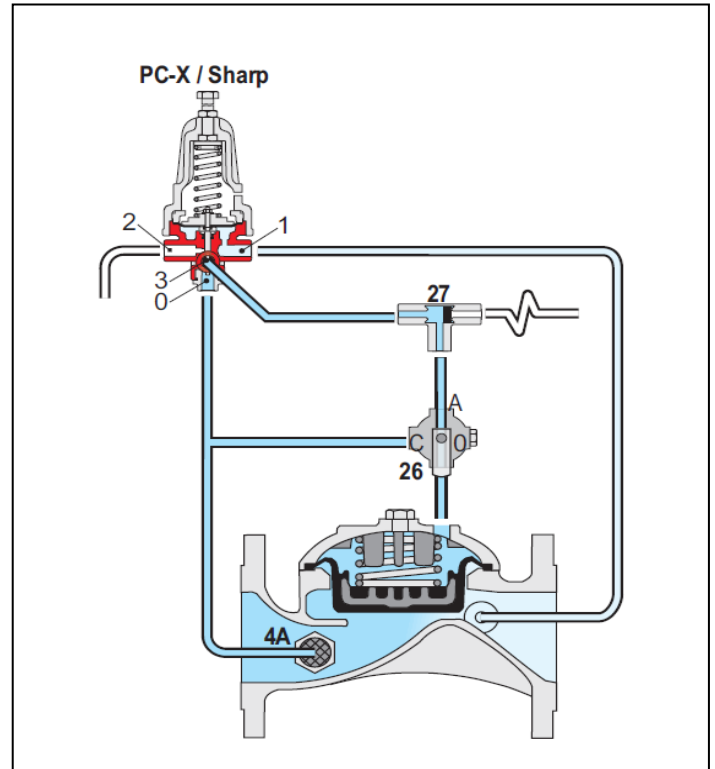


Pressure Reducing Valve

(Sizes 1.5"- 4"; DN40-100)

Description:

The BERMAD Model IR-420-50-KXZ Pressure Reducing Valve is a hydraulically operated diaphragm actuated control valve that reduces higher upstream pressure to lower constant downstream pressure, regardless fluctuating demand, and opens fully upon line pressure drop. It either opens or shuts in response to a remote pressure command.



Installation:

1. Ensure enough space around the valve assembly for future maintenance and adjustments.
2. Prior to valve installation, flush the pipeline to insure flow of clean fluid through the valve.
3. For future maintenance, install Isolation gate valves upstream and downstream from Bermad control valve.
4. Install the valve in the pipeline with the valve flow direction arrow in the actual flow direction.
5. For best performance, it is recommended to install the valve horizontally and upright.
6. After installation carefully inspect/correct any damaged accessories, piping, tubing, or fittings.

Commissioning & Calibration:

1. Confirm that the In-line filter arrow [4A] direction is in the valve flow direction.
2. Allow the valve to start regulation by positioning the cock valve (26) handle on port auto.
3. Open fully the upstream isolating valve and slowly open the downstream isolating valve, to fill-up, carefully, the consumers' line downstream from the Valve.
4. Vent air from the valve's control loop by loosening cover tube fitting at the highest point, allowing all air to bleed. Then Retighten the tube fitting.
5. The IR-420-50-KXZ is factory set according to the design. The set pressure is marked on the pilot label, If the set pressure is either different from the design or the requirements have been changed, change settings according to the following:
 - 5.1. Unlock the pilot locking nut and slowly turn the pilot adjusting screw Clock-Wise to increase set pressure and Counter Clock-Wise to decrease it. Allow the 420-50-KXZ- to react and the downstream pressure to stabilize.
 - 5.2. After the pressure is stabilized lock the pilot nut.
6. Open fully the downstream isolating valve.
7. Connect the remote control to the opening port in the shuttle valve (27).

Trouble-Shooting:

Symptoms	Cause	Remedy
Valve fails to open	<ol style="list-style-type: none"> 1. Cock valve position (26). 2. Hydraulic control command. 3. Not sufficient inlet pressure. 4. Not sufficient flow. 5. Adjusting screws. 	<ol style="list-style-type: none"> 1. Check Cock valve (26) positioning on Auto. 2. Check no existence hydraulic command in the shuttle valve. 3. Check for sufficient inlet pressure- 4. Create demand/flow, confirm pilot setting- 5. Check that the Pilot adjusting screw is not loose.
Valve fails to close	<ol style="list-style-type: none"> 1. Hydraulic control command. 2. Control circuit is clogged. 3. Debris- 4. Diaphragm- 	<ol style="list-style-type: none"> 1. Check existence of hydraulic command in the shuttle valve circuit. 2. Check for any debris trapped in the valve control circuit. 3. Check for any debris trapped in the valve body. 4. Check diaphragm is not leaking-
Valve fails to regulate	<ol style="list-style-type: none"> 1. Not sufficient inlet pressure 2. Not sufficient flow 3. Pilots setting- 4. Cock valve position (26). 5. Air trapped in the control-chamber- 	<ol style="list-style-type: none"> 1. Check for sufficient inlet pressure 2. Create demand/flow, confirm pilot setting 3. Check Pilot setting- 4. Check Cock valve (26) positioning on Auto. 5. Release air trapped in the control chamber by loosening cover tube fitting at the highest point.

Preventive Maintenance:

1. System operating conditions that effect on the valve should be checked periodically to determent the required preventative maintenance schedule.
2. Maintenance instructions:
 - 2.1. Tools required:
 - 2.1.1. Metric and imperial wrenches
 - 2.1.2. Anti-seize grease
 - 2.1.3. Visual inspection to locate leaks and external damages
 - 2.2. Functional inspection including: closing, opening and regulation.
 - 2.3. Close upstream and downstream isolating valves (and external operating pressure when used)
 - 2.4. Once the valve is fully isolated vent pressure by loosening a plug or a fitting.
 - 2.5. Open the screw nuts and remove the cover unit from the valve body. Disassemble necessary control tubs.
 - 2.6. It is highly recommended to stock a reserve parts assembly for each size. This allows minimum system field work. And system down time.
 - 2.7. Disassemble the cover and examine the inside parts carefully for signs of wear, corrosion, or any other abnormal conditions.
 - 2.8. Replace worn parts and all the Elastomers. Lubricate the bolts and screws threads with Anti seize grease.
 - 2.9. Winterizing /freezing prevention: drain the valve & the valve accessories (pilot, solenoid) on time.

Spare Parts

Bermad has a convenient and easy to use ordering guide for valve spare-parts and control system components. For solenoid valves refer to model and S/N on solenoid tags.

Pub # : IOMIR-420-50-KXZ-1.5" 4"	By : YG 5/12	Rev: YG 5/12	File name : IOMIR420-50-KXZ-1.5"-4"- 5/12	PT1AE08-01
----------------------------------	--------------	--------------	---	------------