

# Ordering Guide

- Sector
- Size
- Primary Feature
- Additional Feature  
(Multiple Choices Permitted)
- Pattern
- Construction Materials
- End Connections
- Coatings
- Voltage-Main Valve Position  
(When Solenoid De-energized)
- Tubing & Fittings
- Additional Attributes Unlimited Selection

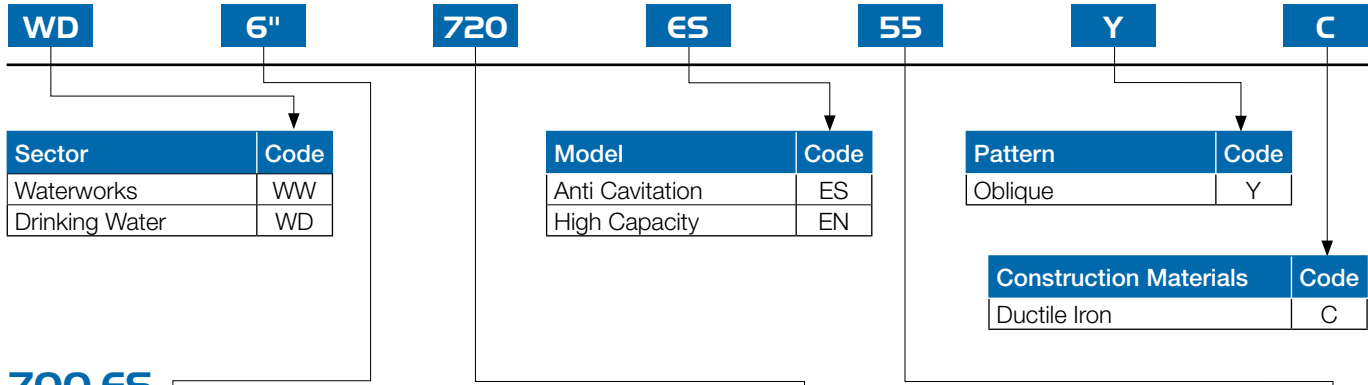
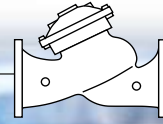


# BERMAD Ordering Guide

Hydraulic Control Valves

**700-ES Series**

**700-EN Series**



## 700-ES

Size	Code
DN40	1.5"
DN50	2"
DN65	2.5"
DN80	3"
DN100	4"
DN125	5"
DN150	6"
DN200	8"
DN250	10"
DN300	12"
DN400	16"
DN500	20"
DN600	24"

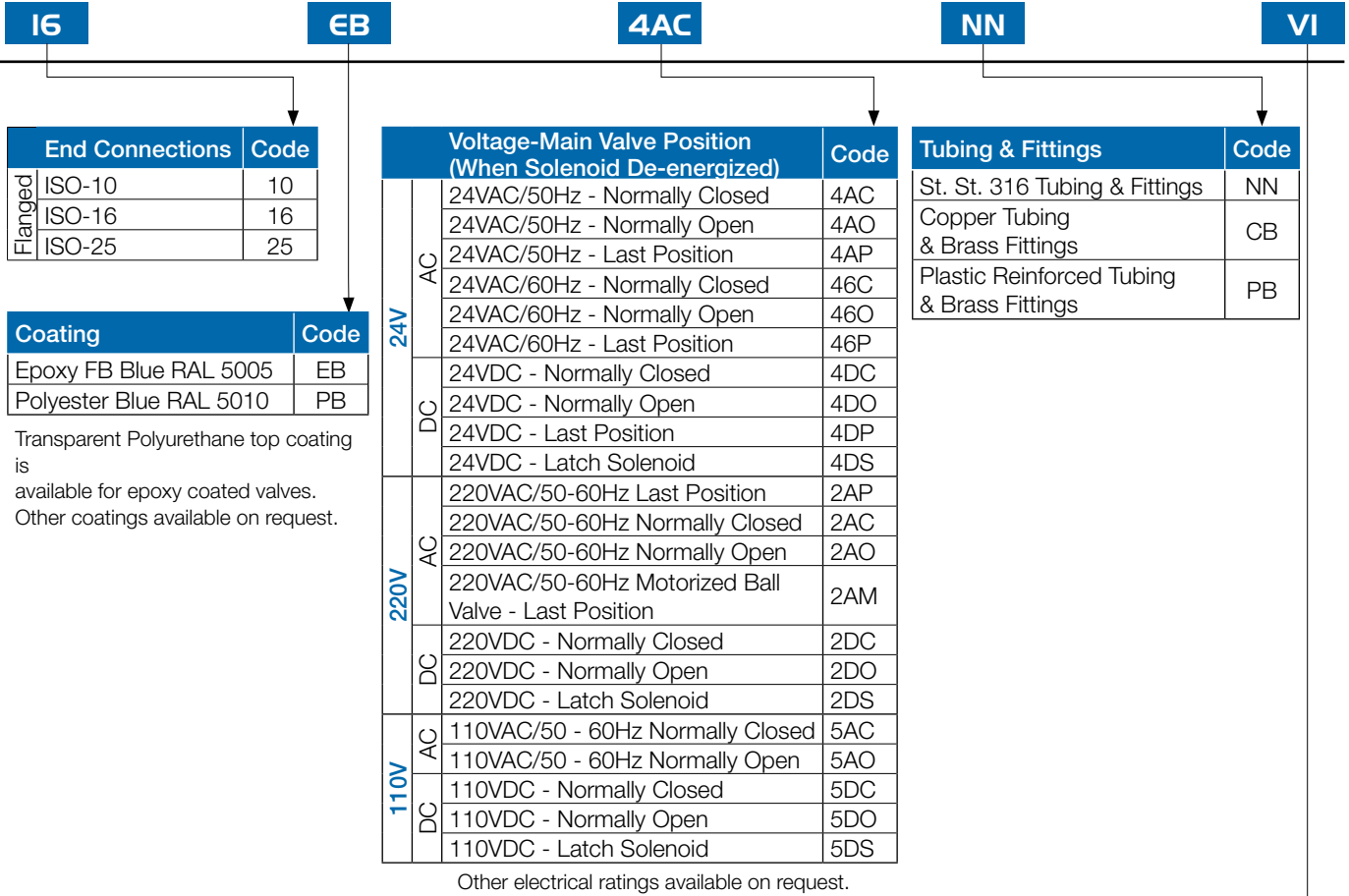
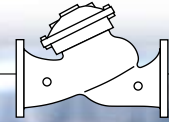
Primary Features	Code
Basic Valve (Double-Chambered Actuator)	700
Basic Valve (Single-Chambered Actuator)	705
Solenoid Controlled Valve	710
Electronic Control Valve	718
Pressure Management Valve, Flow Compensated PRV	7PM
Pressure Reducing Control Valve	720
Pressure Sustaining & Reducing Valve	723
Differential Pressure Reducing Control Valve	726
Flow Control Valve, Constant Downstream Pressure	727
Electronic Pressure Reducing Valve	728
Pressure Sustaining Valve	730
Quick Pressure Relief Valve	73Q
Pressure Sustaining Valve Remote Sensing Type	730R
Surge-Anticipating Control Valve	735
Differential Pressure-Sustaining Valve	736
Electronic Pressure-Sustaining Valve	738
Booster Pump Control Valve, Single Chambered Actuator	740
Booster Pump Control Valve, Double Chambered Actuator	74Q
Booster Pump Control & Pressure Reducing Valve	742
Booster Pump Control & Pressure Sustaining Valve	743
Deep-Well Pump Hydraulic Control Valve	744
Deep-Well Pump Electric Control Valve	745
Booster Pump & Flow Control Valve	747
Pump Circulation & Pressure Sustaining Control Valve	748
Pump Circulation & Flow Control Valve	749
Level Control Valve	750
Level Control & Pressure Sustaining Valve	753
Level & Flow Control Valve	757
Level Sustaining Valve (Reservoir Outlet)	75A
Hydraulic Check Valve	760
Flow Control Valve	770
Flow Control & Pressure Reducing Control Valve	772
Flow Control & Pressure Sustaining Control Valve	773
Burst Control Valve, Excessive Flow	790
Check Valve, Lift-Type	70N
Strainer (Stone and Gravel Trap)	70F

Other primary features available on request.

Additional Features (Multiple Choices Permitted)	Code
No Additional Feature	00
Closing and Opening Speed-Control	03
Differential Pressure	06
Hydraulic Override	09
Check-Lock	11
High Sensitivity Pilot	12
Electronic Control	18
Check Feature	20
Solenoid-Controlled & Check Feature	25
Pressure Reducing Feature	2Q
Two-Stage Opening	30
Relief Override	3Q
Electrically Selected Multi-Level Setting	45
Downstream Over Pressure Guard	48
Closing Surge Prevention	49
Motorized Pilot	4S
Electronic Multi-Level Setting - Type 4R	4R
Electronic Multi-Level Setting - Type 4T	4T
Hydraulic Control	50
Hydraulic Accelerator Control	54
Solenoid-Controlled	55
Electric Override	59
Modulating Horizontal Float	60
Bi-Level Electric Float	65
Bi-Level Vertical Float	66
Modulating Vertical Float	67
Bi-Directional Flow	70
Altitude Pilot	80
Modulating Altitude Control	82
Sustaining Altitude Pilot	83
Hydraulic Positioning	85
Bi-Level Altitude Control	86
Altitude Control with Bi-Directional Flow	87
2-6 meter ; 7-20 feet Setting	M1
2-14 meter ; 7-46 feet Setting	M6
5-22 meter ; 17-72 feet Setting	M5
15-35 meter ; 49-115 feet Setting	M4
25-70 meter ; 82-230 feet Setting	M8
Closing at Downstream Pressure Drop	91
Proportional	PD

Other additional features available on request.





Reduction Ratios Table			700-ES			700-EN		
Valve Size	Plug Type		Valve Size	Plug Type				
	Flat Disk	V-Port		Flat Disk	V-Port			
DN40 ; 1.5"	2.8	3.2	DN50 ; 2"	3.7	4.0			
DN50 ; 2"	2.8	3.2	DN80 ; 3"	2.6	2.9			
DN65 ; 2.5"	2.8	3.2	DN100 ; 4"	2.5	2.8			
DN80 ; 3"	2.8	3.2	DN150 ; 6"	2.5	2.7			
DN100 ; 4"	2.6	2.9	DN200 ; 8"	2.4	2.6			
DN125 ; 5"	2.5	2.8	DN250 ; 10"	2.3	2.5			
DN150 ; 6"	2.5	2.8	DN300 ; 12"	2.2	2.4			
DN200 ; 8"	2.5	2.7						
DN250 ; 10"	2.4	2.6						
DN300 ; 12"	2.3	2.5						
DN400 ; 16"	2.2	2.4						
DN500 ; 20"	2.2	2.3						

- The reduction ratios are based on flow velocity of 2.0-3.0 m/sec.
- Reduction ratio may vary at extreme flow velocity & upstream pressure.

Additional Attributes Unlimited Selection	Code
V-Port Throttling Plug	V
Large Control Filter	F
Valve Position Indicator	I
Electric Limit-Switch	S
Valve Position Transmitter	Q
Flow Stem	M
Lifting Spring	L
Balancing Piston	G
Orifice Assembly	U
Pressure Separator	d
Double-Chambered (Active)	B
3-Way Control Loop	X
Manual Selector	Z
Flow Over the Seat	O
St. St. 316 Control Accessories	N
St. St. 316 Actuator Internal Assembly	D
St. St. 316 Internal Trim (Closure & Seat)	T
Delrin Bearing	R
High-Grade Bearing & Stem	K
St. St. Bolts & Nuts	m
Special Elastomers for Seals & Diaphragm	E
Pressure Gauge	6

Other additional attributes are optional. Please consult our sales department for further information.



# Ordering Guide

## BERMAD Ordering Guide

Hydraulic Control Valves

ES-EN Series



[info@bermad.com](mailto:info@bermad.com) • [www.bermad.com](http://www.bermad.com)

The information herein is subject to change without notice. BERMAD shall not be held liable for any errors. All rights reserved.  
© Copyright by BERMAD.

P07WEES 09