



LEVEL CONTROL VALVE

with Modulating Horizontal Float

Model IR-150-60

Hydraulically operated control valve that controls reservoir filling and reservoir level. Reservoir filling is accomplished in response to a hydraulically modulating horizontal float that maintains a constant water level, regardless of fluctuating demand.

The BERMAD 100 hYflow, at the leading edge of control valve design, are hydraulic plug - type, diaphragm operated valves. This highly durable series utilizing industrial Glass-filled nylon, combines simple and reliable construction with superior performance under wide range of operation conditions.



[1] BERMAD Model IR-150-60 opens upon drop in reservoir level maintaining "Always Full" reservoir, and shuts on rise in reservoir level to preset high.

[2] BERMAD Strainer Model 10-F

Features and Benefits

- Line pressure driven Hydraulic Level Control
 - Always Full Reservoir
 - Prevents reservoir overflow
- Engineered Plastic Valve with Industrial Grade Design
 - Adaptable on-site to a wide range of end connection sizes and types
 - Articulated flange connections isolate valve from line bending and pressure stresses
 - Highly durable, chemical & cavitation resistant
- hYflow 'Y' Valve Body with "Look Through" Design
 - Ultra-high flow capacity at Low pressure loss
- Unitized Flexible Super Travel Diaphragm with a Guided Plug
 - Accurate and stable regulation with smooth closing
 - Requires low actuation pressure
 - Prevents diaphragm erosion and distortion
 - Simple In-Line Inspection and Service

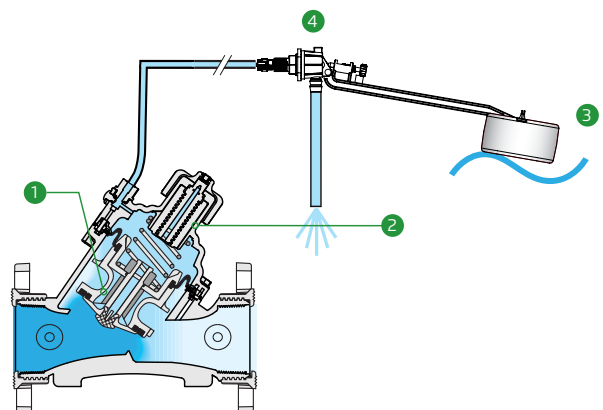
Typical Applications

- Plastic irrigation systems
- Large Surface Area Reservoirs
- Low Volume Reservoirs
- Installation sites with no available Power Supply
- Fertilizer Mixing Tanks
- Constant level control systems where maintaining full tank level is required

Operation:

The Internal Restriction & Filter **1** allows continuous flow from Valve inlet into the Control Chamber **2**. When water level rises, it pushes the Float **3** up throttling the Float Pilot **4**. Pressure in the control chamber accumulates, causing the Valve to throttle closed, reducing filling rate, and eventually closing drip tight.

*For sizes 4"L & 6"R, an external tubing is required. Please consult BERMAD.





IR-150-60

Technical Data

Pressure Rating:
10 bar; 145 psi

Operating Pressure Range:
0.5-10 bar; 7-145 psi

Materials:

Body, Cover and Plug:
Polyamid 6 & 30% GF

Diaphragm:
NR, Nylon fabric reinforced

Seals: NR

Spring: Stainless Steel

Cover Bolts: Stainless Steel

Control Accessories:

Tubing and Fittings: Plastic

Pilot body: Acetal

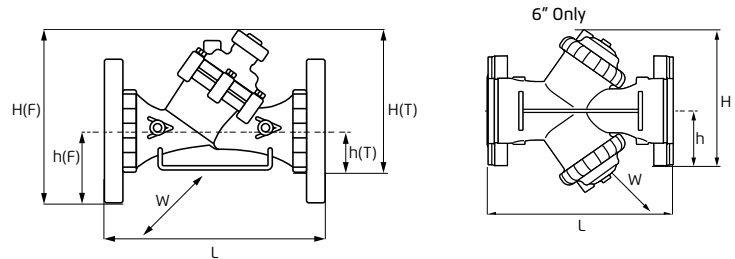
Float: Polystyrene (f30)

Internals: NR+NBR

Technical Specifications

Y Pattern Valves Dimensions & Weights

For [BERMAD](#) angle, dual & T pattern, Please see our full engineering page.



Sizes Inch ; DN	1½" ; 40	2" ; 50		2"L ; 50	2½" ; 65	Rc (BSP.T), NPT	3" ; 80	
End Connections	Rc (BSP.T), NPT	Rc (BSP.T), NPT	G (BSP.F)	Rc (BSP.T), NPT	G (BSP.F)	Rc (BSP.T), NPT	Universal Flanges	
							Metal	Plastic
L (mm)	200	230	230	230	230	298	308	308
H (F) (mm)	—	—	—	—	—	—	244	244
H (T) (mm)	173	173	173	187	187	199	—	—
h (F) (mm)	—	—	—	—	—	—	100	100
h (T) (mm)	40	40	40	43	43	55	—	—
W (mm)	97	97	97	135	135	135	200	200
CCDV (lit)	0.12	0.12	0.12	0.15	0.15	0.15	0.15	0.15
Weight (kg)	1.1	1.2	1.2	1.47	1.47	1.6	4.4	2.5

Sizes Inch ; DN	3"L ; 80L		4" ; 100		4"L ; 100L		6"R ; 150R	6" ; 150	6" ; 150		
End Connections	Rc (BSP.T), NPT	Universal Flanges		Universal Flanges		Universal Flanges		Groove	Universal Flanges	Groove	Universal Flanges
		Metal	Plastic	Metal	Plastic	Metal	Plastic		Metal		Plastic
L (mm)	298	308	308	350	350	442	442	400	470	480	504
H (F) (mm)	—	317	317	329	329	340	340	286	377	198	286
H (T) (mm)	278	—	—	—	—	—	—	—	—	—	—
h (F) (mm)	—	100	100	112	112	112	112	57	149	100	143
h (T) (mm)	60	—	—	—	—	—	—	—	—	—	—
W (mm)	168	200	200	224	224	226	226	226	287	475	475
CCDV (lit)	0.62	0.62	0.62	0.62	0.62	1.15	1.15	1.15	1.15	2 x 0.62	2 x 0.62
Weight (kg)	3	4.4	3.5	7.5	4.6	13.5	10	8	16.5	11	12.5

CCDV = Control Chamber Displacement Volume • **BSP.T** = Internal Threaded • **BSP.F** = External Threaded • Other End Connections are available on request. For dimensions and weights of adapters or valve with adapters please consult with customer service

Flow Properties

Sizes Inch DN	1½" 40	2" 50	2"L 50L	2½" 65
KV	50	50	100	100

Sizes Inch DN	3" 80	3"L 80L	4" 100	4"L 100L	6" R 150L	6" 150
KV	100	200	200	340	340	400

Valve Flow Coefficient

$$\Delta P = \left(\frac{Q}{Kv} \right)^2$$

$Kv = m^3/h @ \Delta P \text{ of } 1 \text{ bar}$
 $Q = m^3/h$
 $\Delta P = \text{bar}$

Flow Chart

