

HIGH CAPACITY PRESSURE REDUCING SUSTAINING VALVE

Model #3HC

This is a direct acting valve, actuated by a pressure responsive diaphragm, which tends to reach equilibrium with the set spring force.

When used in a pressure relief/sustaining circuit, the pilot modulates open as upstream pressure rises above set point.

Features

- Internal or external pressure sensing
- Differential pressure sensing
- Direct Pressure gauge installation
- Non-tamper safety cap

Typical Applications

- Pressure Relief/Sustaining Valves sizes 16-32" (Standard model #3HC)
- Differential Pressure Sustaining 16-32" (Modified to differential sensing #3HC-DR)
- Surge Anticipating Valve sizes 6-14" as high pressure pilot (Modified to external pressure sensing #3HC-R)

Technical Data

Pressure Rating: 25 bar; 350 psi

Working Temperature: Water up to 160°F; 70°C

Flow Factor: Kv 4.7; Cv 5.5

Standard Materials:

Body: Stainless Steel 316

Cover: Stainless Steel 316 (Optional: Brass)

Elastomers: NBR

Internals: Stainless Steel & Brass

Spring: Galvanized Steel

Optional Materials:

Internals: Stainless Steel 316, NAB, Hastalloy

Springs: Stainless Steel 316, Stainless Steel 302, Inconel, Titanium

Elastomers: EPDM, VITON

Adjustment Range

Spring	Pressure		
	bar	psi	
16	1-16	15-230	Standard
10	0.5-10	7.5-150	
3	0.5-3	7.5-45	Optional
25*	2-25	30-350	

* With high pressure setting kit

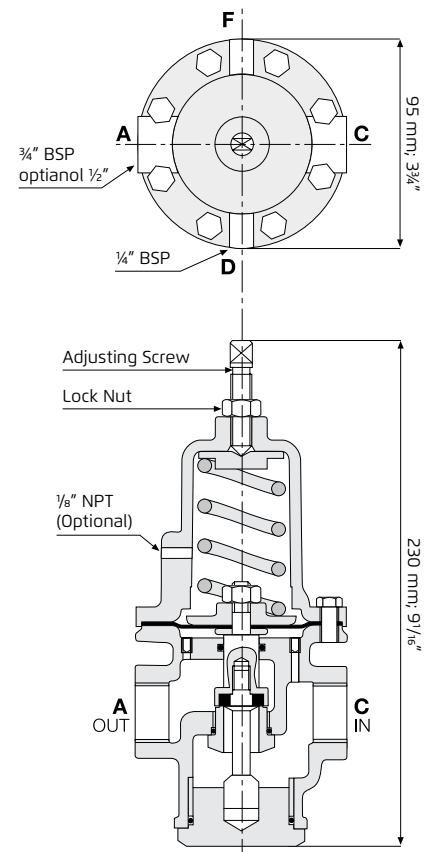
Connections

C - Valve control chamber

A - Downstream

F/D - External sensing (optional) / pressure gauge

Upstream pressure is connected to valve control chamber via a restriction.



Weight: 3.3 Kg; 7.3 lbs.

High pressure setting kit add 128; mm; 5" to pilot height.

