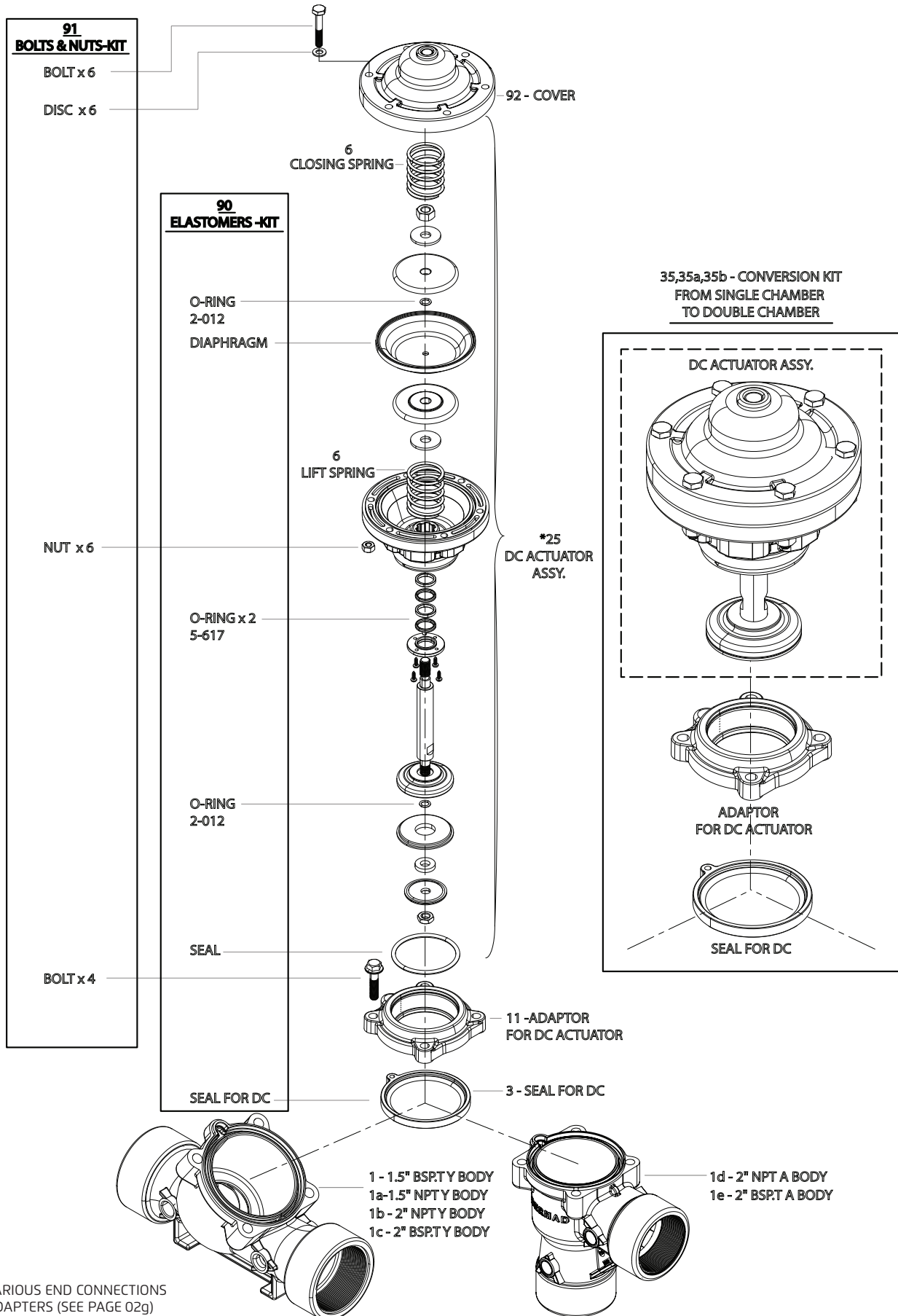




Y - Pattern Double chamber Hydraulic Control Valve

Sizes: 1½-2"; DN40-50

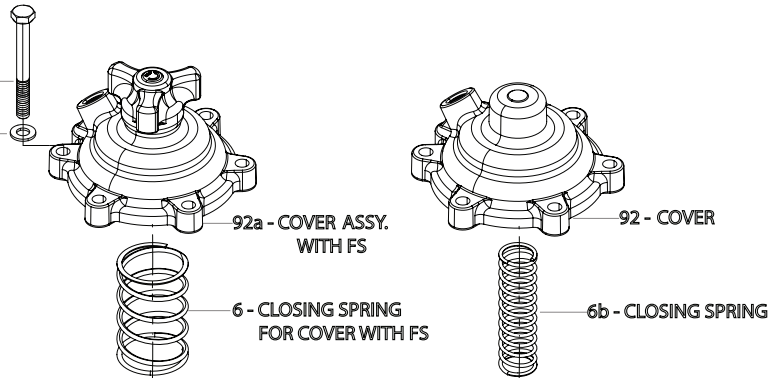




Y,A,T & D - Pattern Double chamber Hydraulic Control

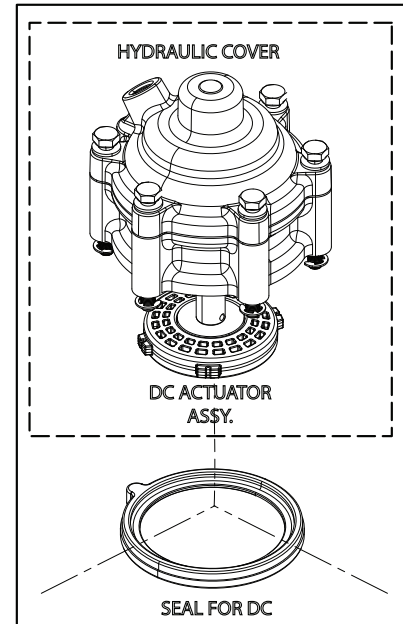
Sizes: 2L-3"; DN50L-80

- 91
BOLTS-KIT**
BOLT x 6
DISC x 6



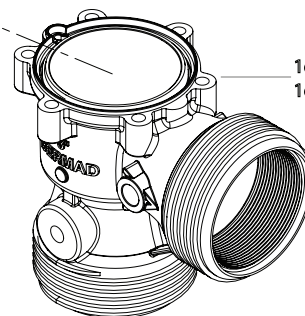
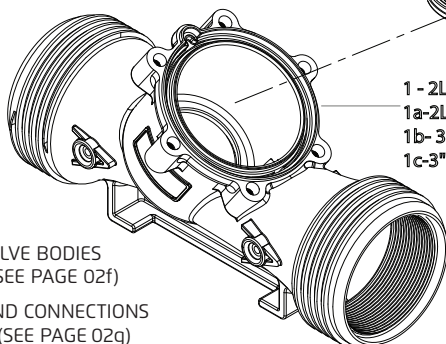
- 90
ELASTOMERS-KIT**
DIAPHRAGM
O-RING 2-012
6 LIFT SPRING
O-RING x 2 5-617
O-RING 2-012
SEAL
SEAL FOR DC

45 (a-e) - CONVERSION KIT FROM SINGLE CHAMBER TO DOUBLE CHAMBER



*25 DC ACTUATOR ASSY.

3 - SEAL FOR DC



OTHERS VALVE BODIES OPTIONS: (SEE PAGE 02f)
VARIOUS END CONNECTIONS ADAPTERS (SEE PAGE 02g)