



Electrically Controlled On-Off Deluge Valve

Model FP 400Y - 3D

The BERMAD model 400Y-3D is an elastomeric, hydraulic line pressure operated deluge valve, designed specifically for advanced fire protection systems, and the latest industry standards.

The 400Y-3D is activated by a 3-way solenoid valve, suitable for electric fire detection systems.

The optional valve position indicator can include a limit switch suitable for Fire & Gas monitoring systems.

The 400Y-3D is ideal for systems with open nozzles for water or foam discharge.

Available with electric components to suit any hazardous location.



(for illustration only)

Benefits and Features

- **Safety and reliability**
 - Time proven, Simple, fail-safe actuation
 - Single piece, rugged elastomeric diaphragm seal - VRSD technology
 - Obstacle-free, uninterrupted flow path
 - No mechanical moving parts
 - Shuts off on remote command
- **High performance**
 - Very high flow efficiency
 - Approved for PN25 / 365 psi
 - Straight through flow Y-type body
- **Specifically-designed for fire protection**
 - Face-to-face length standardized to ISO 5752, EN 558-1
 - Meets the requirements of industry standards
- **Quick and easy maintenance**
 - In-line serviceable
 - Fast and easy cover removal
 - Swivel mounted drain valves*

* not including 1½" & 2" valves

Typical Applications

- Electric fire detection systems with control panels
- Remote control water spray systems
- Foam applications
- Corrosive water supplies

Approvals



UL-Listed
Special System Water Control
Valves, Deluge Type (VLFT)
Sizes 3" - 10"



Det Norske Veritas
Type Approval



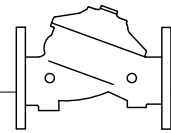
ABS
American Bureau of Shipping
Type Approval



Lloyd's Register
Type Approval

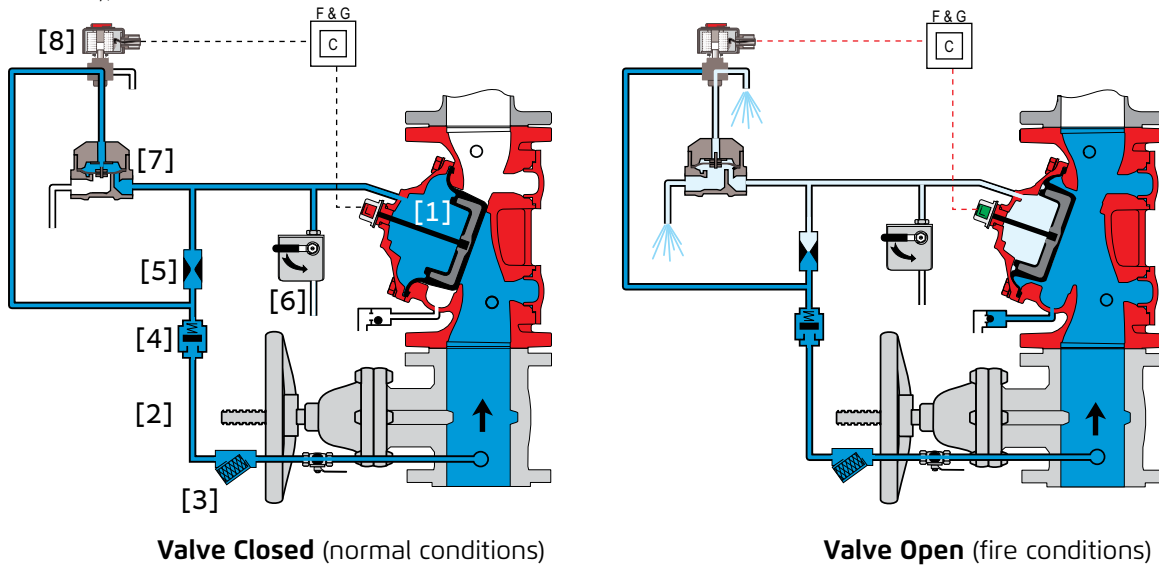
Additional Features

- Valve position limit switches
- Local valve position indicator beacon
- Sea water compatibility
- Alarm pressure switch
- Drain valve/s inlet/outlet
- For "automatic activation" select BERMAD local or remote reset model



Operation

(for illustration only)

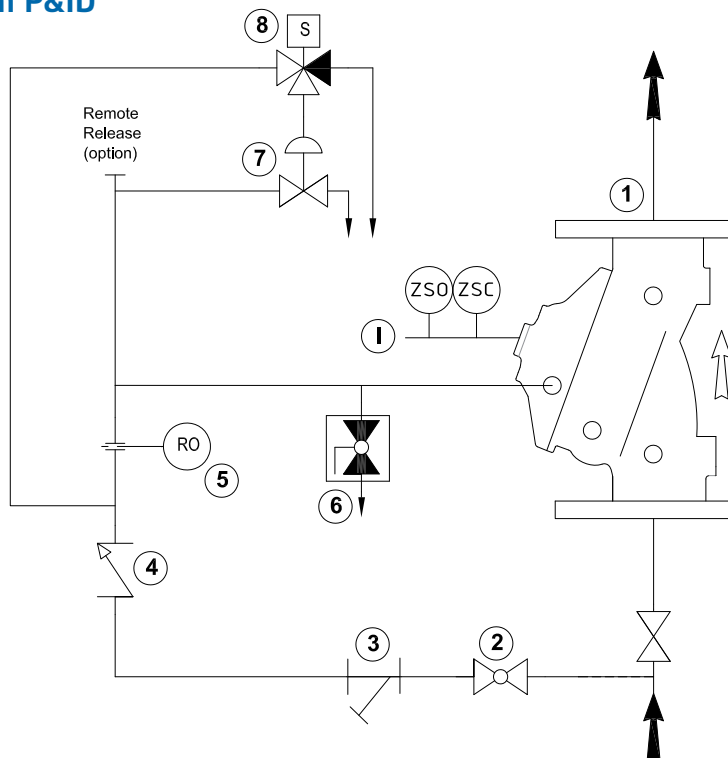


The BERMAD model 400Y-3D is held closed by water pressure in the control chamber [1]. Upon release of pressure from the control chamber, the valve opens.

Under NORMAL conditions, water pressure is supplied to the control chamber via the priming line [2], restriction orifice [5] and strainer [3], and is then trapped in the control chamber by a check valve [4], manual emergency release [6], and a relay valve (HRV) [7] that is held closed by hydraulic pressure supplied through a three-way solenoid valve [8]. The water pressure trapped in the main valve control chamber holds the diaphragm against the valve seat, sealing it drip-tight and keeping the system pipes dry.

Under FIRE conditions, water pressure is released from the control chamber, either with the manual emergency release, or by the HRV opening in response to the solenoid valve being activated by the fire & gas control system [C]. This opens the 400Y-3D deluge valve, allowing water to flow into the system piping.

System P&ID



Components

- 1 BERMAD 400Y Deluge Valve
- 2 Priming Ball Valve
- 3 Priming Strainer
- 4 Check valve
- 5 Restriction Orifice
- 6 Manual Emergency Release
- 7 HRV-Hydraulic Relay Valve
- 8 3-Way NC Solenoid Valve

Optional System Items

- ZS Limit Switch Assembly
- I Visual Indicator

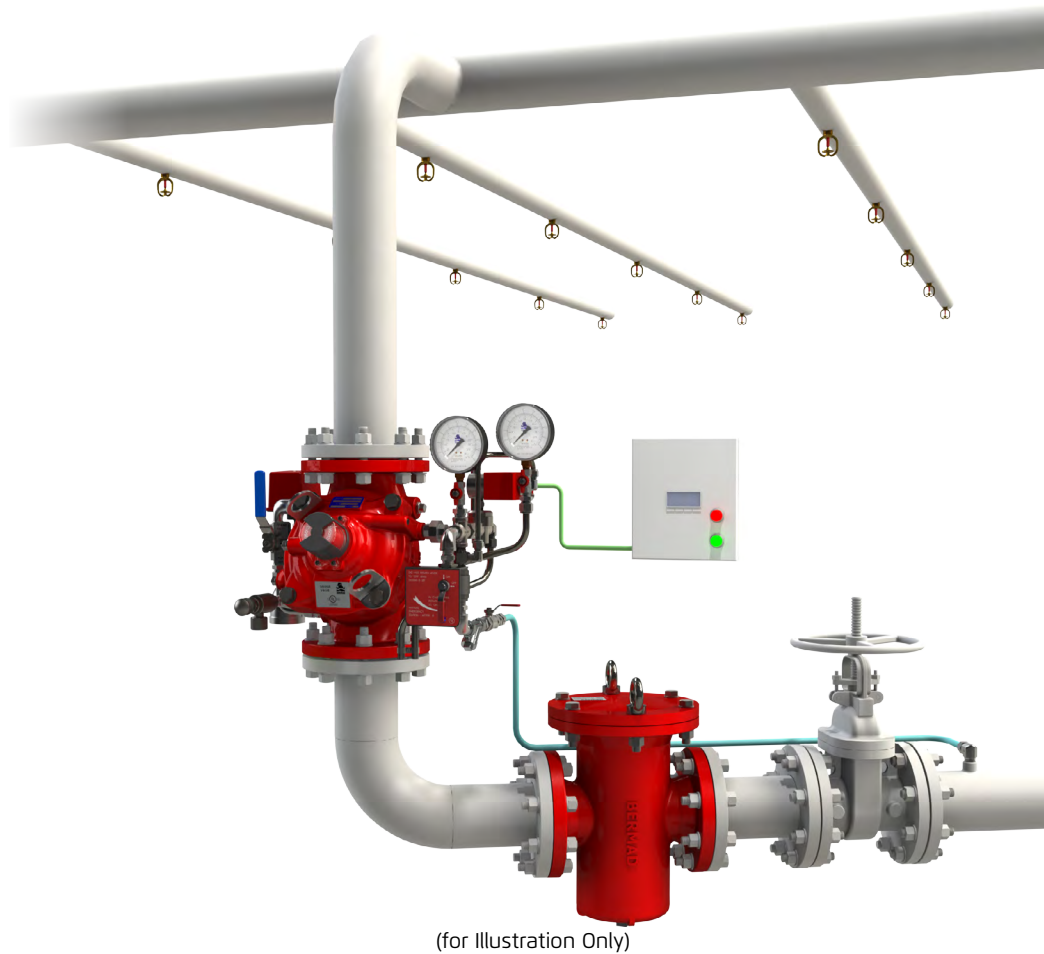
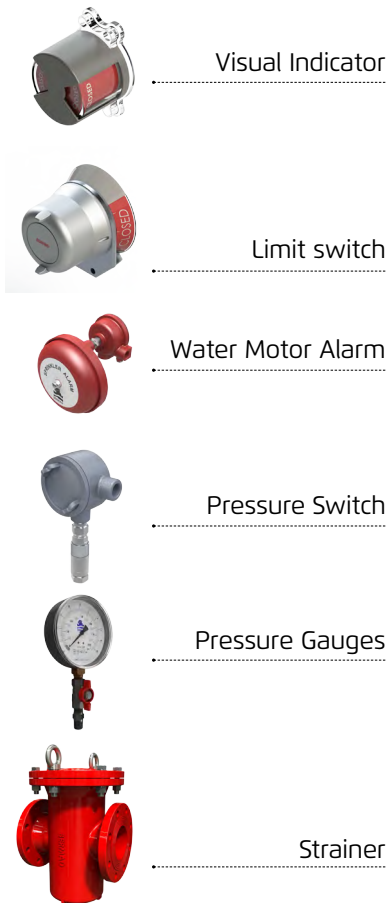
See also Factory Fitted Options under the Valve Code Designations on the last page



System Installation

A typical installation of the BERMAD model 400Y-3D features actuation via a hydraulic relay valve and three-way solenoid valve, triggered by a signal from a fire & gas control system or an on-site emergency pushbutton. When open and fitted with a limit switch the valve can send a feedback signal to a remote valve status monitoring system.

Optional System Items



Suggested Specifications

The deluge valve shall be UL-listed, 25 bar / 365 psi rated, elastomeric type with a straight-through, Y-type-body. The valve shall have an unobstructed flow path, with no stem guide or supporting ribs.

Valve actuation shall be accomplished by a single piece rolling diaphragm, bonded with a rugged radial seal disk. The diaphragm assembly shall be the only moving part. The deluge valve shall include a relay pilot valve, a 3-Way solenoid valve with approval for 25 bar/365 psi and a tolerance of 35% below the rated voltage, a Y-type strainer, a ball drain valve, an automatic drip-check with manual override, 4-inch pressure gauges, and a manual emergency release housed in a stainless steel box. The valve drain socket shall be flanged and have 360 degree swivel.

The valve shall be equipped with a dual-colour, rotational position indicator, readable from 50 meters, and with two limit switches enclosed in a protective switch box.

Removing the valve cover for inspection or maintenance shall be in line and not require removing the control trim.

The deluge valve and its entire control trim shall be supplied pre-assembled and hydraulically tested by a factory certified to ISO 9000 and 9001 standards.



Technical Data

Available Sizes (inch)

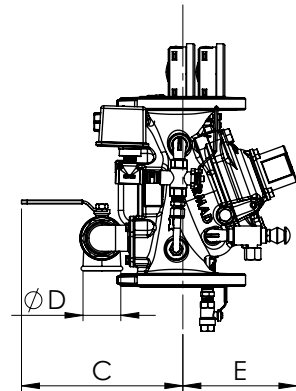
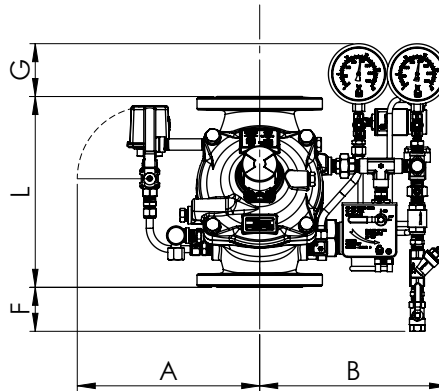
- Flanged - 1½, 2, 3, 4, 6, 8, 10, 12*, 14* & 16"
- Grooved - 1½, 2, 3, 4, 6 & 8"
- Threaded - 1½ & 2"

Pressure Rating

- ANSI#150 - 16 bar / 235 psi
- ANSI#300 - 1½" to 10" 25 bar / 365 psi
12" to 16" 20 bar / 300 psi
- Grooved/Threaded - 25 bar / 365 psi

Elastomer

- HTNR - Fabric Reinforced High Temperature Compound - See engineering data



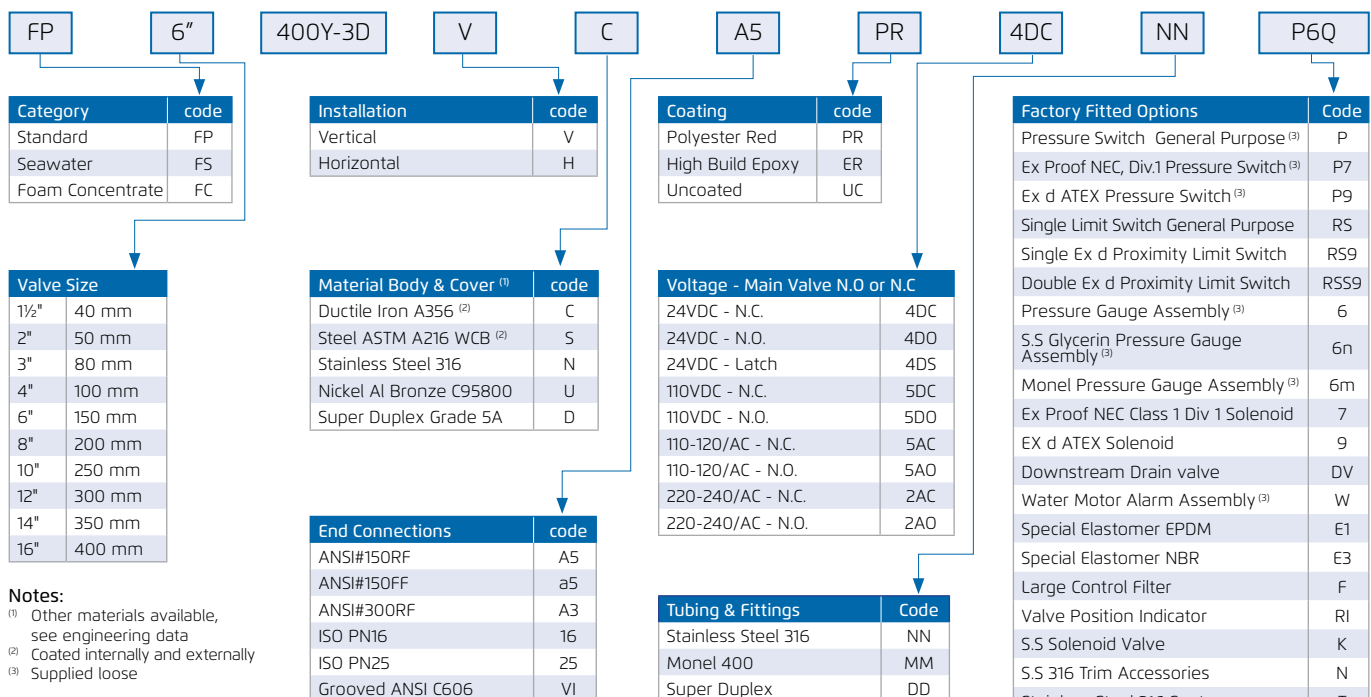
Valve Size	1½" DN40	2" DN50	3" DN80	4" DN100	6" DN150	8" DN200	10" DN250	12" DN300	14" DN350	16" DN400
⁽¹⁾ L ¹ ANSI #150 mm (in.)	230(9.06)	230(9.06)	310(12.21)	350(13.79)	480(18.91)	600(23.64)	730(28.76)	850(33.49)	980(38.61)	1100(43.34)
L ² ANSI #300 mm (in.)	230(9.06)	238(9.37)	326(12.84)	368(14.50)	506(19.94)	626(24.66)	730(28.76)	888(34.96)	980(38.61)	1100(43.34)
A mm (in.)	330(13.0)	330(13.0)	390(15.4)	398(15.7)	451(17.8)	481(18.9)	481(18.9)	594(23.4)	594(23.4)	594(23.4)
B mm (in.)	269(10.6)	269(10.6)	327(12.9)	337(13.26)	392(15.4)	420(16.5)	420(16.5)	533(21)	533(21)	533(21)
C mm (in.)	241(9.5)	241(9.5)	274(10.8)	290(11.4)	304(12.0)	320(12.6)	320(12.6)	383(15.1)	383(15.1)	408(16.1)
ØD	¾"	¾"	½"	2"	2"	2"	2"	2"	2"	2"
E mm (in.)	120(4.7)	120(4.7)	146(5.7)	158(6.2)	228(9.0)	295(11.6)	295(11.6)	441(17.4)	441(17.4)	415(16.3)
F mm (in.)	179(7)	179(7)	109(4.3)	82(3.2)	0.5(0.01)	-	-	-	-	-
G mm (in.)	111(4.4)	111(4.4)	101(4)	88(3.46)	39.5(1.6)	15(0.6)	-	-	-	-
Kv m ³ /h (Cv gpm)	68(79)	80(92)	190(219)	345(398)	790(912)	1160(1340)	1355(1565)	2370(2737)	2850(3292)	3254(3758)
⁽²⁾ Leq m (ft)	2(7)	5(16)	7(23)	9(30)	15(49)	62(203)	52(171)	59(194)	59(194)	88(289)
Weight, flanged kg (lbs)	10.4(23)	11.8(26)	26.5(58)	36.5(80)	79.8(174)	143(314)	173(380)	316(695)	349(768)	395(870)

Notes: ⁽¹⁾ L1 Dimensions are for grooved, threaded and raised face flanged valves

⁽²⁾ Leq (Equivalent Pipe Length) refers to turbulent flow in new steel pipe schedule 40, values given for general consideration only

⁽³⁾ Dimensions for the trim envelope may vary with specific component positioning

Valve Code Designations



Notes:

- ⁽¹⁾ Other materials available, see engineering data
- ⁽²⁾ Coated internally and externally
- ⁽³⁾ Supplied loose

