

2-Way Ball Valve

This Ball Valve provides quick and easy on/off manual control for isolating, manual releases and drains.

Technical Data

Pressure rating:

40 bar (600 psi) - 1/4" to 3/4"

35 bar (500 psi) - 1" to 2"

Standard materials:

Body: Brass

Ball: Brass (Nickel & Chrome plated)

Seals: PTFE & FPM

Handle: Galvanized Steel (vinyl grip)

Optional materials:

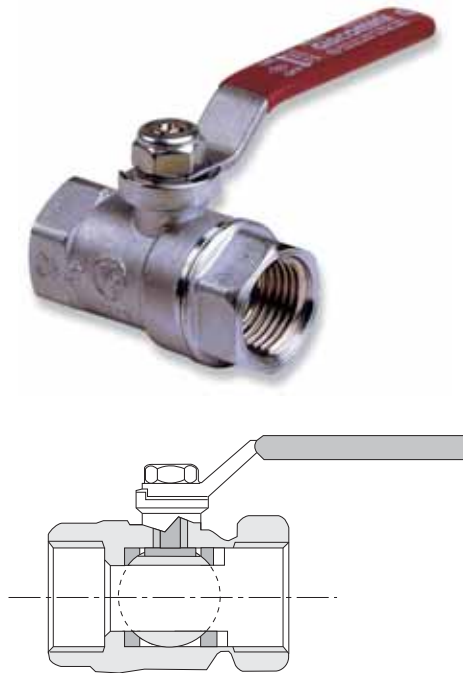
Stainless Steel metal parts

Ports:

1/4", 3/8" & 1/2" NPT

3/4", 1", 1 1/2" & 2" BSP

Maximum temperature: 185°C (365°F)



3-Way Ball Valve

This 3-Way valve is used as a pilot valve providing quick and easy, 2-position on/off manual control.

Technical Data

Pressure rating: 27.5 bar (400 psi)

Standard materials:

Body: Brass

Ball: Brass (Chrome plated)

Seals: PTFE & FPM

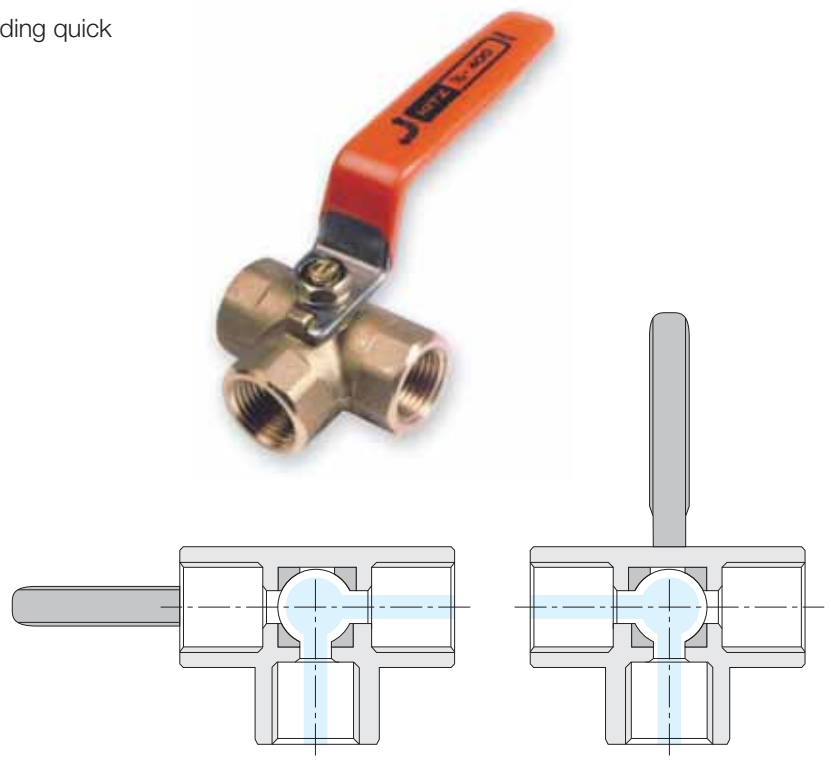
Handle: Stainless Steel (vinyl grip)

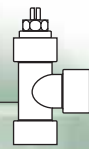
Optional materials:

Stainless Steel metal parts

Ports: 1/4", 3/8" & 1/2" NPT

Maximum temperature: 150°C (300°F)





Manometer Ball Valve

This vented 2-Way Ball Valve provides quick and easy manual isolating and venting of either pressure gauges or any other pressurized control loop components.

Technical Data

Pressure rating: 16 bar (230 psi)

Standard materials:

Body: Brass (Nickel plated)

Ball: Brass (Nickel & Chrome plated)

Seals: PTFE & NBR

Handle: Reinforced nylon

Ports: 1/8", 1/4" & 3/8" NPT

Maximum temperature: 80°C (180°F)

