

Quick Pressure Relief Pilot Valve

Model PC-3Q

This pilot valve integrates all the principal functions of a two-way control circuit in a single assembly. It is a direct acting valve, actuated by a pressure responsive diaphragm, which tends to reach equilibrium with the set spring force. The pilot opens as upstream pressure rises above the set point. An integral restriction acts as an upstream flow restrictor enabling smooth valve closing and simplifying the control circuit.

Features

- Internal restriction

Application

- Pressure relief valve sizes 1½-4"

Technical Data

Pressure Rating: 16 bar (230 psi)

Working Temperature: Water up to 80°C (180°F)

Flow Factor: Kv 0.75 (Cv 0.88)

Standard Materials:

Body & cover: Brass

Elastomers: NBR (Buna N)

Internals: Stainless Steel & Brass

Spring: Galvanized Steel.

Optional Materials:

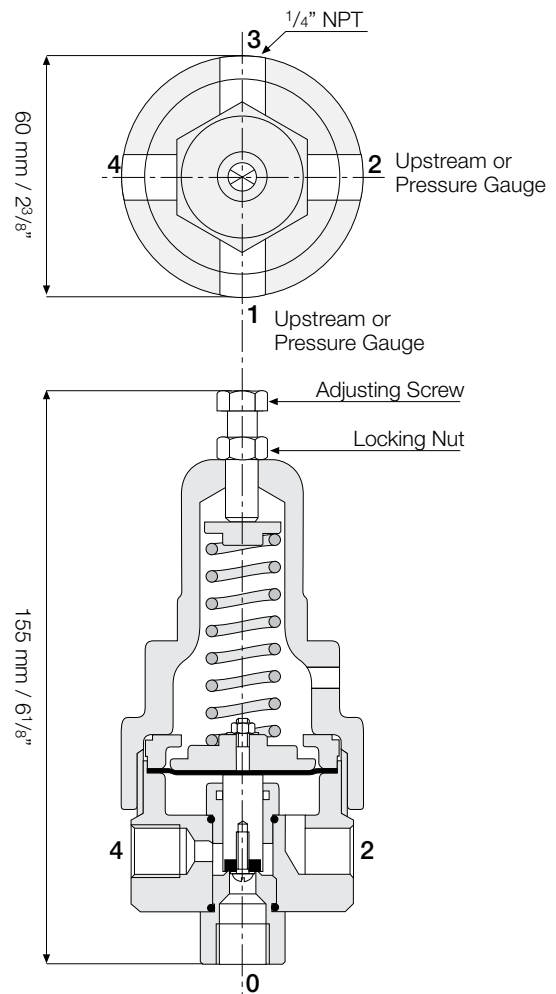
All Stainless Steel 316

Adjustment Range

Spring	Pressure	
	bar	psi
G	1-12	15-175

Connections

- 1 - Upstream or pressure gauge
- 2 - Upstream or pressure gauge
- 3 - Valve control chamber (when 4 is plugged)
- 4 - Valve control chamber (when 3 is plugged)
- 0 - Downstream



Weight: 1.0 Kg (2.2 lbs.)