

### Hydraulic Relay Valve (HRV)

This 2-Way, single chamber hydraulic relay pilot valve is a hydraulically operated, diaphragm actuated control valve that either opens fully or shuts off in response to pressure applied to its control chamber.

#### Hydraulic Relay Valve, Metal

**Model 50-M**

#### Technical Data

**Pressure rating:** 25 bar; 350 psi

**Working temperature:** Water up to 80°C; 180°F

**Flow factor:** Kv 1.3; Cv 1.5

**Standard materials:**

**Body & cover:** Brass

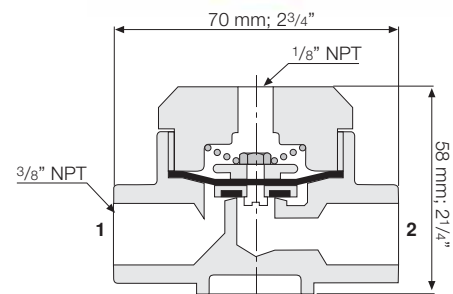
**Elastomers:** NBR

**Internals:** Stainless Steel & Brass

**Connections:**

2- Inlet

1- Outlet



**Weight: 0.6 Kg; 1.3 lbs.**

#### Hydraulic Relay Valve, Plastic

**Model 50-P**

#### Technical Data

**Pressure rating:** 10 bar; 145 psi

**Working temperature:** Water up to 50°C; 122°F

**Standard materials:**

**Body & cover:** Polyamide 6 + 30% F.G.

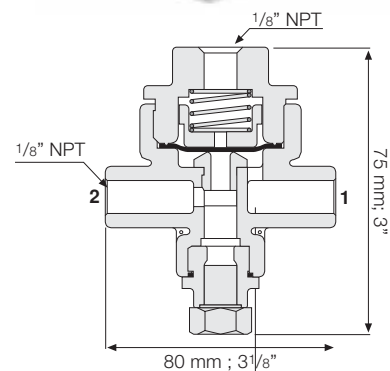
**Elastomers:** NBR

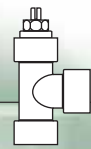
**Internals:** Stainless Steel & Plastic

**Connections:**

1- Inlet

2- Outlet





### Shuttle Valve

This pressure selector shuttle valve has been designed to automatically direct the higher between two pressure sources into a control or sensing chamber. Each source is applied to a different port. The higher pressure creates a superior force that moves the inner plug to seal the counter port, allowing water from the higher pressure source to flow through the common port.

#### Shuttle Valve, Metal

**Model 50-X-M**

#### Technical Data

**Pressure rating:** 25 bar; 350 psi

**Working temperature:** Water up to 80°C; 180°F

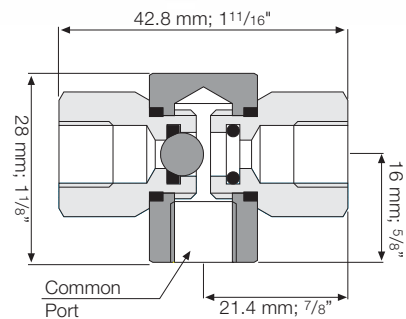
**Standard materials:**

**Body:** Brass

**Elastomers:** NBR

**Sealing Knob:** Stainless Steel

**Ports:** 1/8" NPT Female thread



#### Shuttle Valve, Plastic

**Model 50-X-P**

#### Technical Data

**Pressure rating:** 10 bar; 145 psi

**Working temperature:** Water up to 50°C; 122°F

**Standard materials:**

**Body:** Polyamide 6 + 30% F.G.

**Seal disk:** NBR

**Ports:** 8 mm tube fittings and/or 1/8" NPT Mail thread

