



AMV Shut-Off Pilot

Model 3W-SOP

This 3-Way Shut-off Pilot Valve is a spring-return, flap actuated pilot valve that in response to pushing a spool against a spring, directs pressure and flow between its ports:

- In Set Position the SOP spool is pushed closed, thereby hydraulically connecting ports "C" and "V"
- In Normal Position the SOP spool is returned by the spring action, hydraulically connecting ports "P" and "C"

By manually turning the AMV setting knob, the flap is actuated to push the spool. After delivering the preset quantity of water, the flap slips into a groove in the turning control head mechanism, allowing the spool to return to Normal Position.

Technical Data

Pressure rating: 10 bar; 145 psi

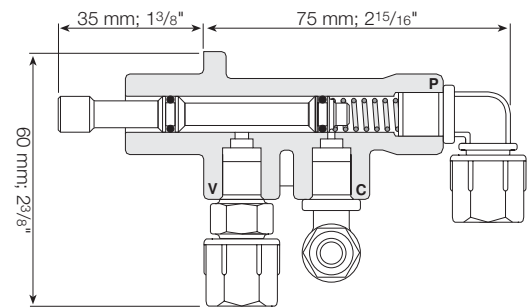
Standard materials:

Body: Nylon

Elastomers: NBR

Internals: Stainless Steel

Ports: 1/8" NPT



AMV Sequential Shut-Off Pilot

Model 5W-SSOP

This 5-Way Shut-off Pilot Valve is a spring-return, flap actuated pilot valve that in response to pushing a spool against a spring, directs pressure and flow between its ports:

- In Set Position the SSOP spool is pushed closed, thereby hydraulically connecting ports "P" to "C2" and "C1" to "V1".
- In Normal Position the SSOP spool is returned by the spring action, hydraulically connecting ports "P" to "C1" and "C2" to "V2".

By manually turning the AMV setting knob, the flap is actuated to push the spool. After delivering the preset quantity of water, the flap slips into a groove in the turning control head mechanism, allowing the spool to return to Normal Position.

Technical Data

Pressure rating: 10 bar; 145 psi

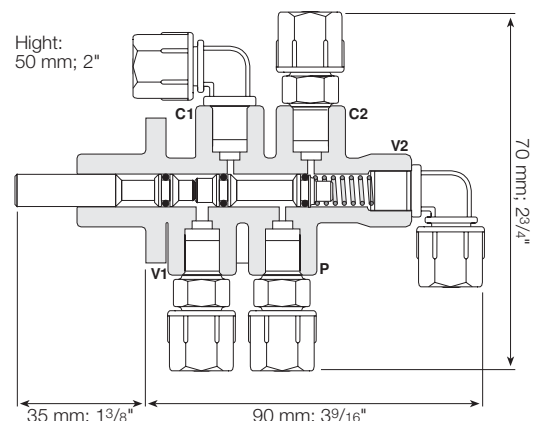
Standard materials:

Body: Nylon

Elastomers: NBR

Internals: Stainless Steel

Ports: 1/8" NPT





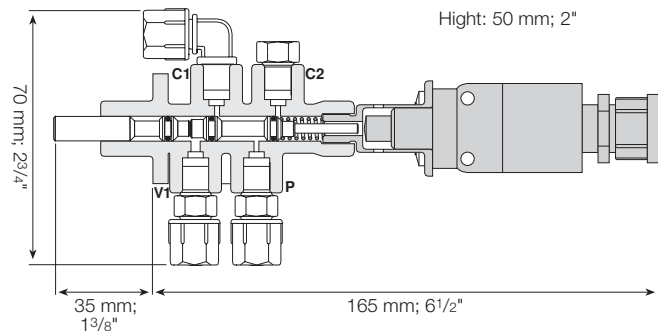
AMV Shut-Off Pilot

with Pump Shut-Off Electrical Switch

Model 3W-SOP-S

This 3-Way Shut-Off Pilot Valve with Pump Shut-Off Electrical Switch is a spring-return, flap actuated pilot valve that in response to pushing a spool against a spring, activates an electric change over switch and directs pressure and flow between its ports:

- In Set Position the SOP-S spool is pushed closed, thereby hydraulically connecting ports “C1” to “V1” (“C2” is Plugged).
- In Normal Position the SOP-S spool is returned by the spring action, hydraulically connecting ports “P” to “C1”. By manually turning the AMV setting knob, the flap is actuated to push the spool. After delivering the preset quantity of water, the flap slips into a groove in the turning control head mechanism, allowing the spool to return to Normal Position. The spool is activating electric Change Over Switch. This enables to turn-off the system's pump after delivering the preset quantity of water.



Technical Data

Pressure rating: 10 bar; 145 psi

Standard materials:

Body: Nylon

Body: Brass

Elastomers: NBR

Internals: Stainless Steel

Ports: 1/8" NPT

Switch Data: Change Over 5A - 250V

Electrical Connections: N.O or N.C

