



2-Way Modulating Vertical Float

Model #67

This adjustable 2-Way Modulating Vertical Float is actuated by the “locked in place” float either pulling the float assembly rod down or floating it up.

This float can be used to control reservoir filling or emptying:

- When used as a filling level control pilot, it throttles closed as level rises towards set point.
- When used as an emptying level control pilot, it modulates open as level rises towards set point.

The extendable rod is to be balanced by counterweights installed on the lever system according to rod length and system pressure.

Technical Data

Pressure Rating: 25 bar (350 psi)

Working Temperature: Water up to 80°C (180°F)

Flow Factor: Kv 1.3 (Cv 1.5)

Ports: 3/8" NPT

Standard Materials:

2-Way pilot body: Brass

Elastomers: NBR

Internals: Stainless Steel & Brass

Lever System: Brass

Float: Plastic

Float Rod: Stainless Steel

Base Plate: Fusion bonded epoxy coated Steel

Optional Materials:

Metal Parts: Stainless Steel, Nickel Aluminum Bronze, Hastalloy

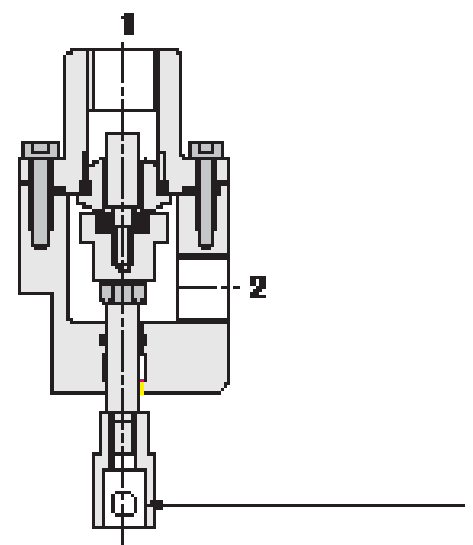
Elastomers: FPM (Viton®)

Connections:

Port	Reservoir inlet (Model: 67)	Reservoir outlet (Model: 67A)
1	Control Chamber	Vent
2	Vent	Control Chamber

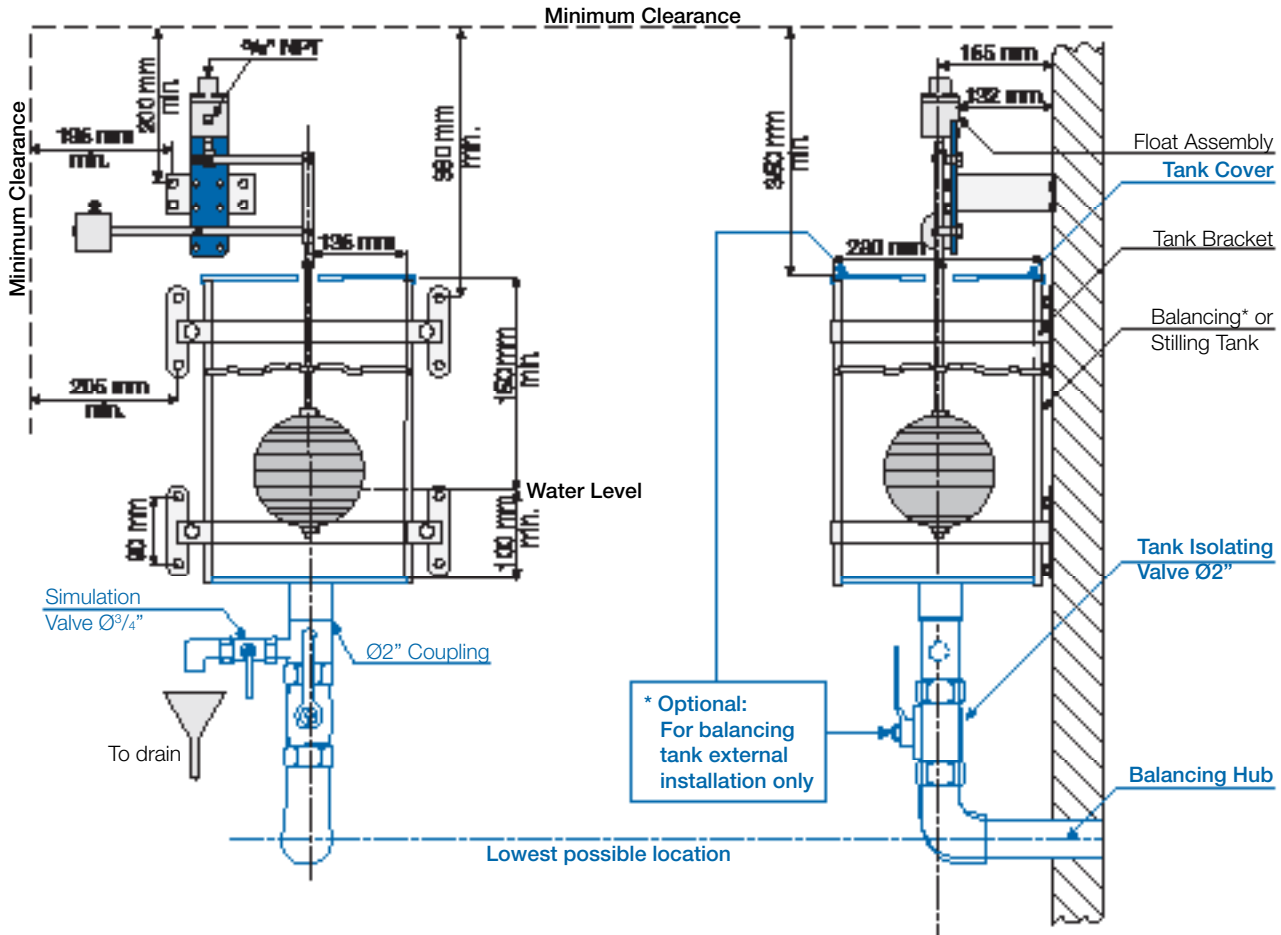
Notes:

- Rod length: 54 cm (21")
- Each extension rod adds 56 cm (22"). One extension rod supplied
- Extra counterweight might be required according to rod length and high operating pressure
- Float hydraulic connections: 1/2" or larger tube
- For 24-32" (600-800 mm) valves use the high capacity float pilot Model #67HC





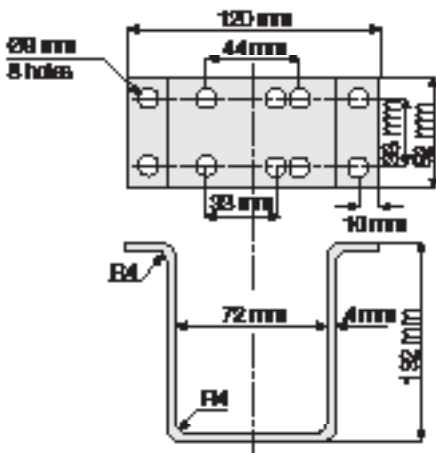
Typical Installation



Float 67 Bracket

Tank Cover

Tank Bracket



L Unfolded = 365 mm

